



General catalogue **2016**



M Y H O M E



Rocal provides the warmth and the touch of class your home needs,

with our wood heating systems adapted to any space, environment or requirement.

We believe in a sustainable future and trust in renewable energy sources to bring comfort to your home.

Rocal

Rocal has had the same vocation since it was founded in 1982: to create a range of products—metal fireplaces, insert modules, hearths, barbecues...— that lend your home all the comfort of a wood fire.



Our factory is in Centelles, just outside Barcelona.

Our more than 30 years' experience in the home heating industry are the best guarantee of our products' quality.

Backed by the best human and technical team, Rocal is growing daily and expanding its horizons on a national and international scale.



Quality and design

Rocal offers a wide range of products for you to choose the one that best suits your home. Our fireplaces are the result of hi-tech manufacturing methods combined with handcrafted finishes. A process in which every attention is paid to detail and only the highest quality materials are used.

We aim to provide functional design that is pleasing to the eye. We want our products to fit in with your projects.



Innovation and efficiency

We are committed to continuous product improvement, innovation and efficiency, and that has put our range right out in front. We use the latest technology to achieve optimal performance with minimal emissions, which also means considerable fuel savings.



Guarantee and safety

Feel safe in the knowledge that our fireplaces are long-lasting and that our products are tested in compliance with European quality standards.

One of our priority objectives is to ensure safety in your home through quality products and professional distributors and fitters.



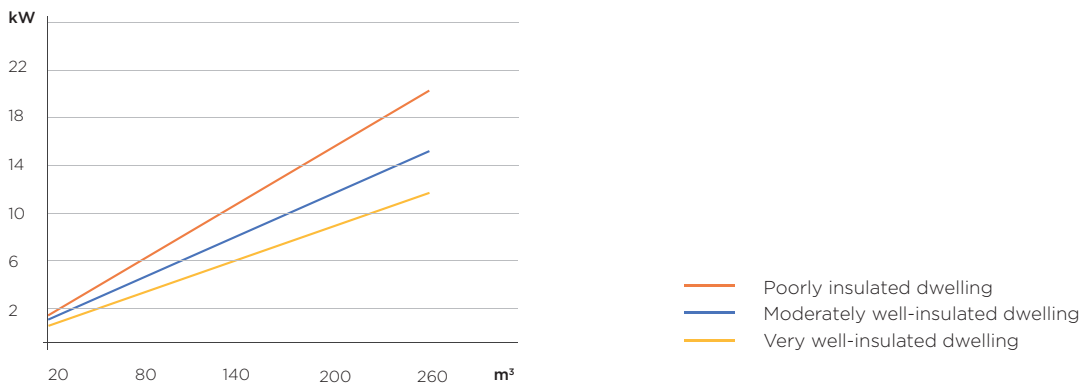
Wood

An ecological, economical biomass fuel. A natural fuel that man has used since time began. It is the renewable energy source par excellence. Using wood instead of fossil fuels reduces the greenhouse effect, as it does not increase the carbon dioxide in the atmosphere. Furthermore, wood is easy to find, relatively cheap to obtain and contributes to clearing the forest floor.

Don't forget that wood burns slowly and elegantly and provides that special touch that makes a house a home.



How do you calculate the output power your dwelling needs?





6 | 27

/ 1

Hearths

G series

8	G300/350/400
12	G450/500
14	G505
16	G 45DC
20	G 30 LD/LI
23	G 45 LD/LI
24	General features
25	Optional items
26	Fitting accessories

28 | 55

/ 2

Insert modules

30	RCr graffiti 70/70 A/80/100
34	RCr 50V graffiti
36	<small>NEW</small> RCr 100 TC graffiti
40	<small>NEW</small> RCr 100 LD/LI graffiti
42	RCr classic 65/70/70A/ 70 cónico/80/100
46	RCr 70 TC classic
48	RCr 70 LD/LI classic
50	Argo 70/80
52	General features
53	Optional items
54	Fitting accessories

56 | 69

/ 3

Thermo-fireplaces

Termogar

60	GN 70/LN 70
61	GN 70/LN 70 Simplified
62	Comparative
64	General features
66	Optional items
67	Fitting accessories
69	How it works



70 | 105 / 4

Fireplaces

72	Born
74	Vertex
76	Oban
78	City
80	Drop
82	D-10
86	D-7
84	D-8
88	D-9
90	Barbara-90
93	Barbara-120
94	NEW Aitana
96	Estela
98	Giselle
100	NEW Gala
102	NEW Prune

104	General features
105	Custom adaptations
105	Direction of slope
105	Measuring the slope
105	Measuring the height

106 | 117 / 5

Stoves

108	Habit TC
112	Habit Frontal graffiti
110	Habit 50V graffiti
114	NEW Hebar

118 | 126 / 6

Barbecues

120	Plek 66 inox
122	Fornells inox jardín
122	Fornells inox porche
124	Palma 75 inox jardín
124	Palma 75 inox porche
126	Standard accessories
126	Custom adaptations

Symbols

127	Symbols
-----	---------



/ 4

Fireplaces

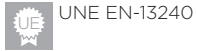
Our fireplaces are distinguished by their balanced design and excellent hand-crafted finishes that do not eschew technology, which enables us to achieve excellent performance in terms of efficiency, output and low CO emissions.

We use the most appropriate material for each part of the fireplace (steel, stainless steel, vermiculite, fire brick and cast iron), along with heat resistant paint for the outer finish.

We make versions to suit any space in your home.

Born

Born is a triangle-shaped, central fireplace. Its three sides, each offering a great view of the fire, make it incredibly transparent with modern, up-to-date, simple lines.



FEATURES

- Double ventilated hood for hot air.
- Ceiling plate.
- Heat resistant, anti-smoke, anti-odour paint.
- Mirrored glass.
- Ember grate and ash pan.
- External air intake.
- Finished flue.
- Primary and secondary register.

Page 104

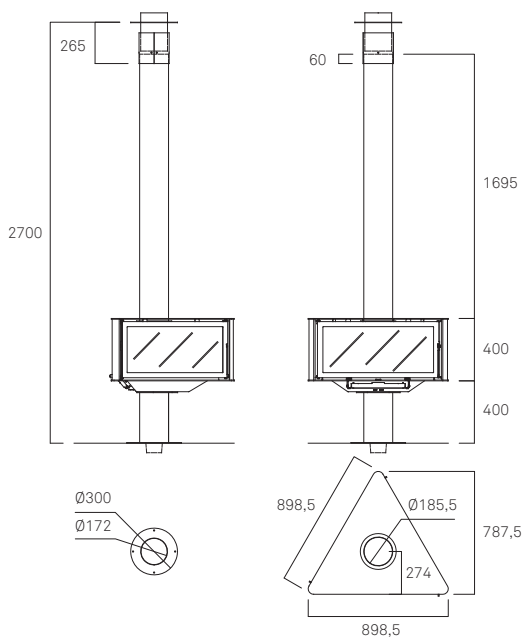
Born

X1315

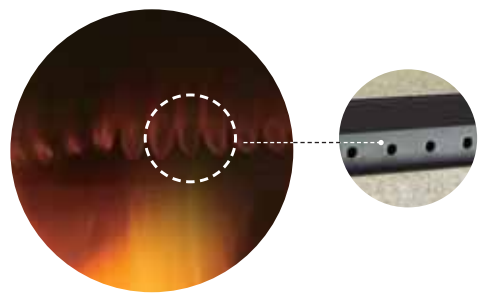
	78%
	12 kW
	18 kW
	0,14%
	3,3 kg/h
	156 kg
	30 cm



A4595
Optional revolving base.







Double combustion.

Helps to increase performance: represents an extra contribution of oxygen that helps to better burn combustion gases.

Vertex

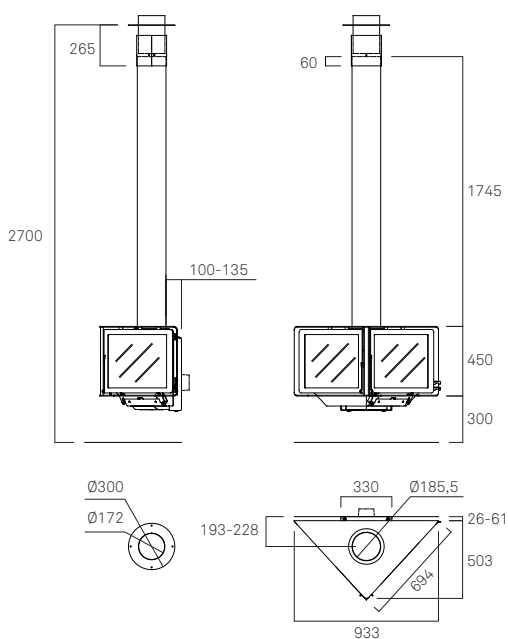
Architectural, refined and compact, it fits in anywhere. Its double front offers a clear view of the fire. Vertex is modern and current.



FEATURES

- Double ventilated hood for hot air.
- Ceiling plate.
- Heat resistant, anti-smoke, anti-odour paint.
- Ember grate and ash pan.
- Double combustion.
- External air intake.
- HRC glass (self cleaning).
- Finished flue.
- Primary and secondary register.
- Vermiculite lining in black.

Page 104



Vertex X1310

η	85%
nom	10 kW
max	15 kW
CO	0,13%
kg/h	2,5 kg/h
kg	128 kg
cm	30 cm



A4555
Optional round stand.



A4595
Optional revolving base.



Combustion chamber.

Oban

Oban is modern, but offers a glimpse of the traditional cast-iron salamanders. Vertical, solid and extremely decorative, it offers a broad view of the fire. Loading door opening is easy and intuitive.



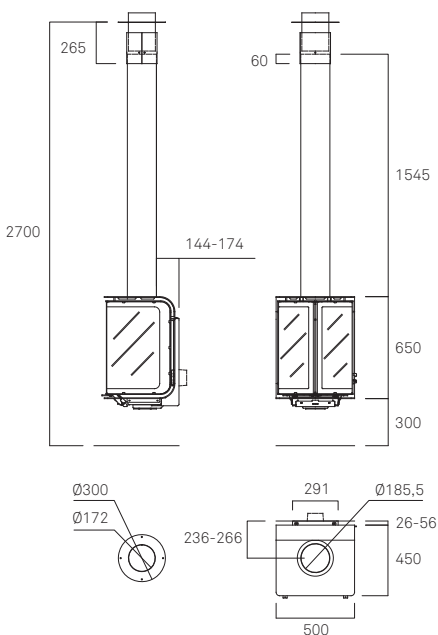
FEATURES

- Double ventilated hood for hot air.
- Ceiling plate.
- Heat resistant, anti-smoke, anti-odour paint.
- Ember grate and ash pan.
- Double combustion.
- External air intake.
- Finished flue.
- Primary and secondary register.
- Vermiculite lining in black.

Page 104

Oban X1305

η	79%
nom	11 kW
max	15 kW
CO	0,09%
kg/h	3 kg/h
kg	132 kg
cm	30 cm





A4545
Optional round stand.



A4595
Optional revolving base.





City

A fireplace for urban homes that is ready to stand out in a modern context. Discover its straight lines and how it leaves the fire completely visible. Offers extra firewood capacity with no loss of combustion quality.

FEATURES

- Double ventilated hood for hot air.
- Ceiling plate.
- Heat resistant, anti-smoke, anti-odour paint.
- Ember grate and ash pan.
- Double combustion.
- External air intake.
- Finished flue.
- Primary and secondary register.
- Vermiculite lining in black.

Page 104



UNE EN-13240

City X1300



75%



13 kW



17 kW



0,10%



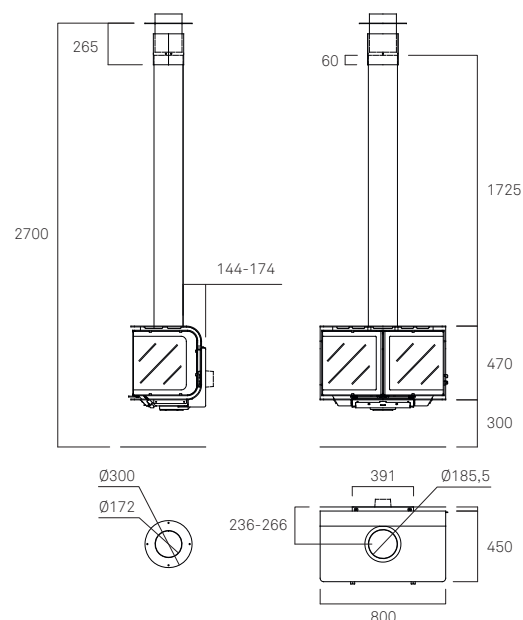
3,7 kg/h



146 kg



40 cm



A4535

Optional round stand.



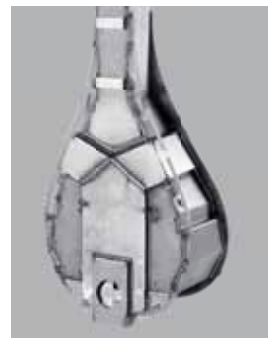
A4595

Optional revolving base.





Combustion chamber.
(posterior part)



A4560
Optional round stand.



Drop

Drop is sheer emotion. Its vertical line and rounded forms seek to adapt to and, at the same time, become the focal point of your home; with no aim to provoke indifference or to blend in.



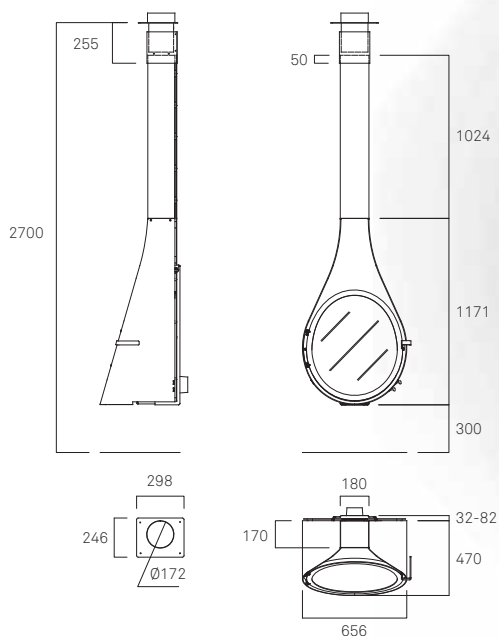
FEATURES

- Double ventilated hood for hot air.
- Ceiling plate.
- Heat resistant, anti-smoke, anti-odour paint.
- Double combustion.
- Ember grate and ash pan.
- External air intake.
- Finished flue.
- Primary and secondary register.
- Vermiculite lining in black.

Page 104

Drop X1320

η	85%
nom	9,5 kW
max	15 kW
CO	0,10%
kg/h	2,4 kg/h
kg	148 kg
cm	30 cm



D-10

This model shows the fire from the front and the sides. With mirrored glass and removable stay-cool handle. Suspended, with optional stand, it is designed to stand out in classic and modern settings.










FEATURES

- Ceiling plate.
- Heat resistant, anti-smoke, anti-odour paint.
- Double combustion.
- External air intake.
- Mirrored glass.
- Flue cover.
- Primary and secondary register.
- Vermiculite lining.

Page 104

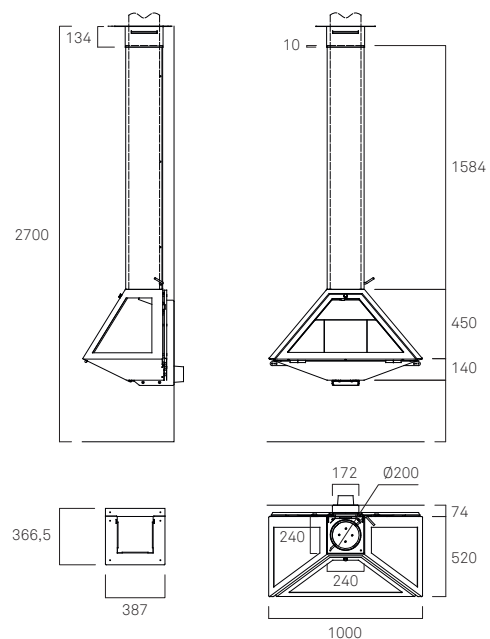
D-10 X1265

	79%
	11,5 kW
	18 kW
	0,12%
	3 kg/h
	145,5 kg
	45 cm





A4550
Optional stand.









D-7

Its size and looks make the D-7 one of our most popular modern fireplaces: it fits in in any contemporary-style home and is outstandingly versatile. A great little fireplace.



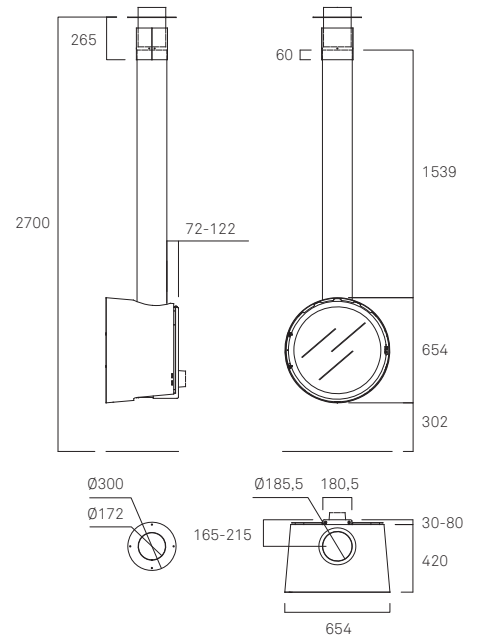
FEATURES

- Double ventilated hood for hot air.
- Ceiling plate.
- Heat resistant, anti-smoke, anti-odour paint.
- Ember grate and ash pan.
- Double combustion.
- External air intake.
- Finished flue.
- Primary and secondary register.
- Vermiculite lining in black.

Page 104

D-7 X1280

η	85%
nom	9 kW
max	15 kW
	0,12%
	2,3 kg/h
	101 kg
	30 cm



A4520
Optional round stand.



A4595
Optional revolving base.

D-8

Its unusual shape makes it ideal to add an original touch to the modern living room. Flattened, with rounded sides, it holds more firewood. You won't see another fireplace like this.



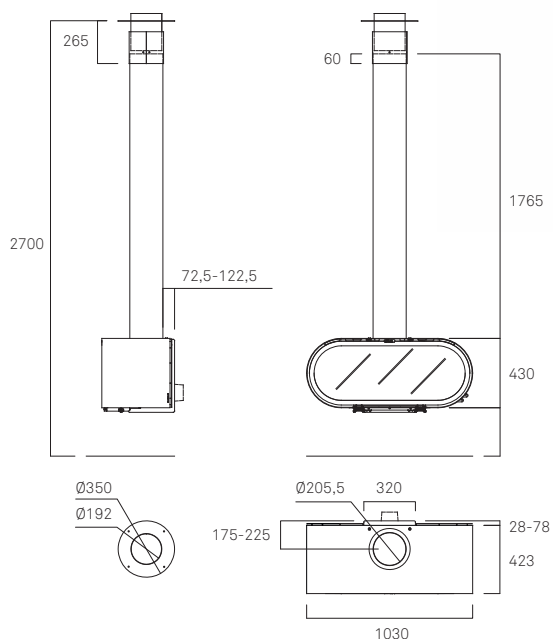
FEATURES

- Drop-down door.
- Double ventilated hood for hot air.
- Ceiling plate.
- Heat resistant, anti-smoke, anti-odour paint.
- Ember grate and ash pan.
- External air intake.
- Finished flue.
- Primary and secondary register.
- Vermiculite lining in black.

Page 104

D-8 X1285

	83%
	13 kW
	20 kW
	0,14%
	3,6 kg/h
	180 kg
	45 cm



A4530
Optional round stand.



A4595
Optional revolving base.





A4540
Optional stand.

D-9

For design lovers, the D-9 has an original, elegant shape that suits modern apartments and rooms.



UNE EN-13240

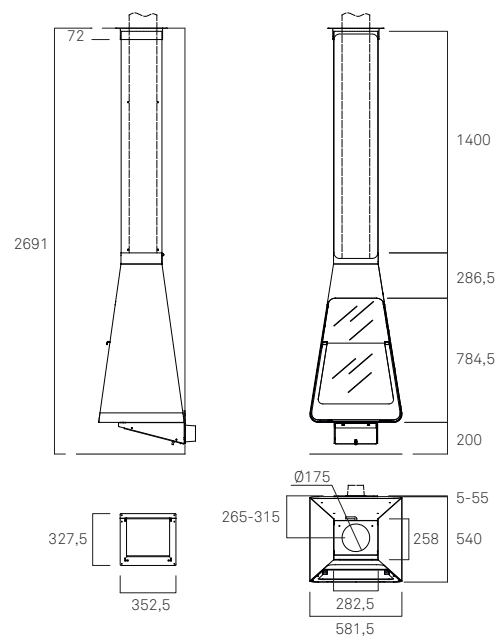
FEATURES

- Drop-down door.
- Double ventilated hood for hot air.
- Ceiling plate.
- Heat resistant, anti-smoke, anti-odour paint.
- Ember grate and ash pan.
- Mirrored glass.
- Vermiculite lining in black.
- Flue cover.
- Smoke outlet register.

Page 104

D-9 X1291

η	76%
n_{nom}	11,5 kW
n_{max}	18 kW
CO	0,10%
kg/h	3,6 kg/h
kg	130 kg
cm^3	30 cm



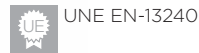




Barbara-90

Barbara-90

Very popular with our customers, the Barbara90 has all the elegance of the classic living room fireplace. Central- and side-opening doors. Central- and side-opening doors.



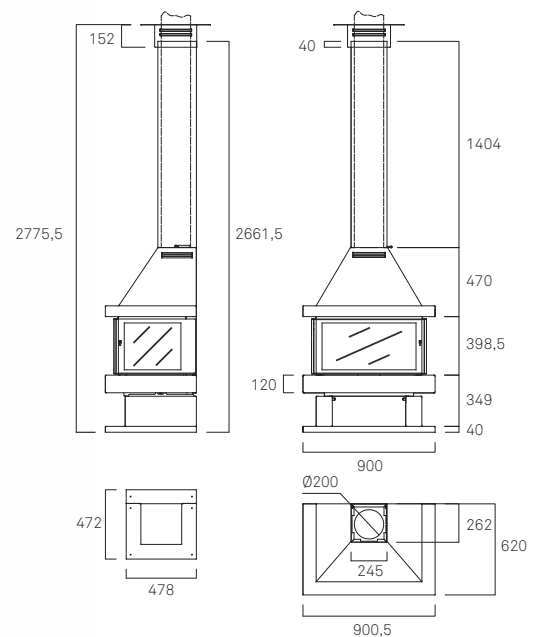
FEATURES

- Double ventilated hood for hot air.
- Ceiling plate.
- Heat resistant, anti-smoke, anti-odour paint.
- Ember grate and ash pan.
- Flue cover.
- Primary and secondary register.
- Refractory lining.

Page 104

Barbara-90 X1118

	80%
	15,5 kW
	20 kW
	0.10%
	4,1 kg/h
	232,5 kg
	40 cm



Barbara-120

The Barbara 120 the 90's big sister. Its main feature is its size – this one is made for large rooms.








 UNE EN-13240

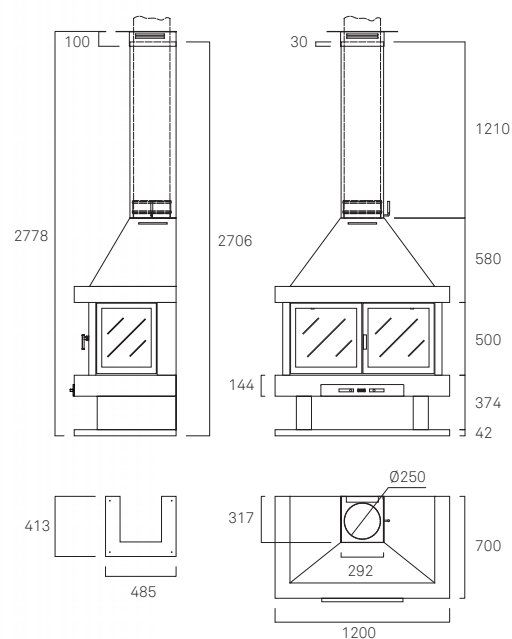
FEATURES

Double ventilated hood for hot air.
Ceiling plate.
Heat resistant, anti-smoke, anti-odour paint.
Ember grate and ash pan.
Flue cover.
Primary and secondary register.
Refractory lining.

Page 104

Barbara-120 X1121

	70%
	18 kW
	25 kW
	0,15%
	5,3 kg/h
	316 kg
	60 cm



Aitana



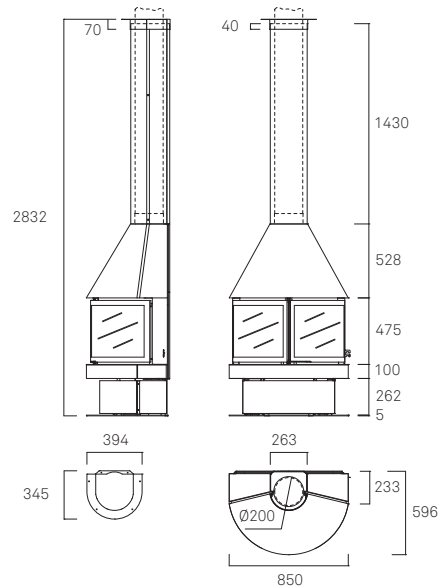
An elegant frontal rounded fireplace that suits any room. Its classic style goes with traditional and modern decor. Centre-opening doors.

UNE EN-13240

FEATURES

- Double ventilated hood for hot air.
- Ceiling plate.
- Heat resistant, anti-smoke, anti-odour paint.
- Ember grate and ash pan.
- External air intake.
- Flue cover.
- Primary and secondary register.
- Double combustion.
- Vermiculite lining in black.

Page 104



Aitana X1150

	78%
	16 kW
	20 kW
	0,09%
	4,6 kg/h
	263 kg
	35 cm







Estela

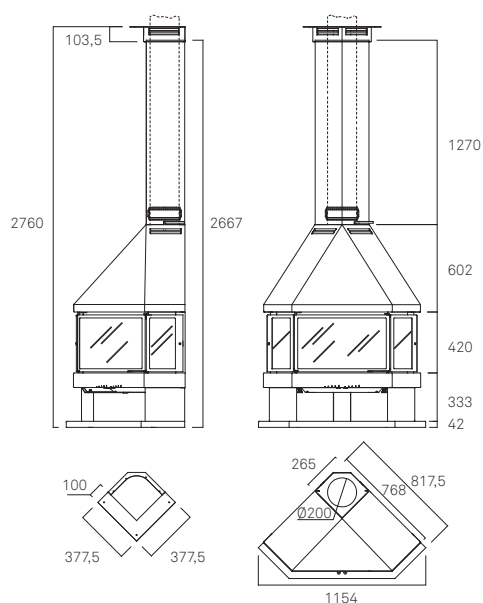
Our straight-sided corner unit, the Estela, is fire brick-lined and has primary and secondary registers.

 UNE EN-13240








FEATURES

- Double ventilated hood for hot air.
- Ceiling plate.
- Heat resistant, anti-smoke, anti-odour paint.
- Ember grate and ash pan.
- External air intake.
- Flue cover.
- Primary and secondary register.
- Refractory lining.

Page 104



Estela X1043

	82%
	15,5 kW
	20 kW
	0,12%
	5 kg/h
	217 kg
	40 cm



Giselle

A central fireplace for those who love a real fire and good conversation, Giselle is a great reason to gather round the hearth. All doors open.



FEATURES

Double ventilated hood for hot air.
Ceiling plate.
Heat resistant, anti-smoke, anti-odour paint.
Ember grate and ash pan.
External air intake.
Flue cover.
Primary and secondary register.

Page 104

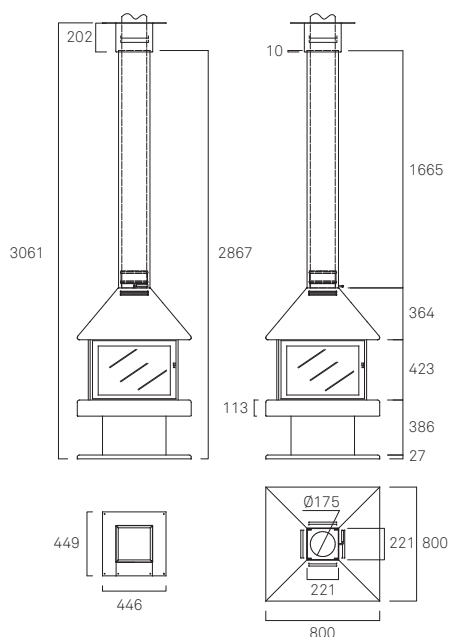
Giselle-80 X1270

η	73%
$\frac{\text{flame}}{\text{nom}}$	16 kW
$\frac{\text{flame}}{\text{max}}$	20 kW
CO	0,18%
$\frac{\text{kg}}{\text{h}}$	4,7 kg/h
kg	172 kg
cm	35 cm

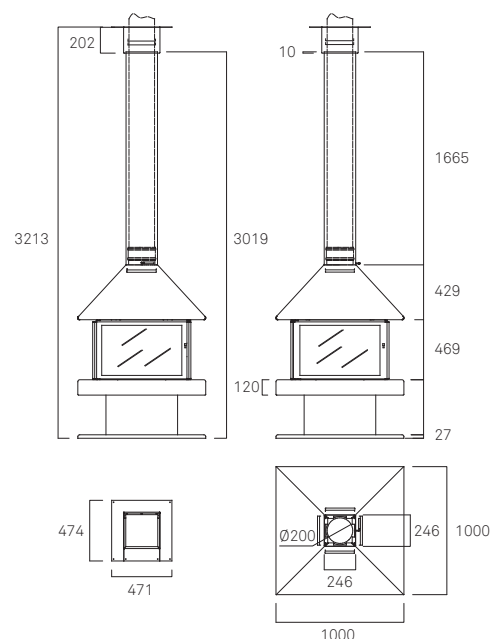
Giselle-100 X1275

η	73%
$\frac{\text{flame}}{\text{nom}}$	17 kW
$\frac{\text{flame}}{\text{max}}$	22 kW
CO	0,16%
$\frac{\text{kg}}{\text{h}}$	4,9 kg/h
kg	250 kg
cm	40 cm

Giselle-80



Giselle-100





Gala



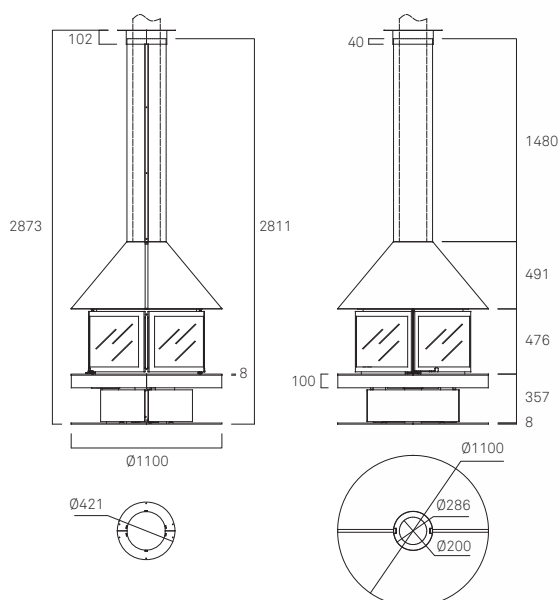
This impressive central fireplace is synonymous with elegance and distinction. The focal point of any living room, it also achieves great energy efficiency. Gala is exclusive.



FEATURES

- Double ventilated hood for hot air.
- Ceiling plate.
- Heat resistant, anti-smoke, anti-odour paint.
- Ember grate and ash pan.
- External air intake.
- Flue cover.
- Primary and secondary register.

Page 104



Gala X1222

η	81%
nom	17,5 kW
max	22 kW
CO ₂	0,16%
kg/h	4,7 kg/h
kg	297 kg
cm	40 cm

Standard color black

White optional

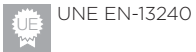


X1222-210 / X1222-215

Option to request in black glass finishing on the upper base and the lower platform base.

Prune NEW

Impressive and efficient as Gala, this central fireplace opts for a daring hood which does not go unnoticed.



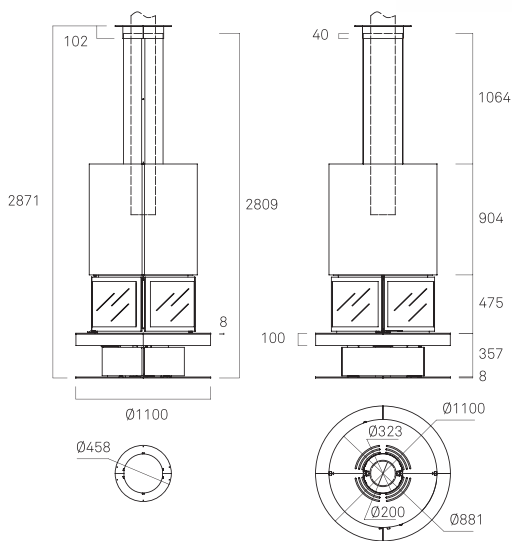
FEATURES

- Double ventilated hood for hot air.
- Ceiling plate.
- Heat resistant, anti-smoke, anti-odour paint.
- Ember grate and ash pan.
- External air intake.
- Flue cover.
- Primary and secondary register.

Page 104

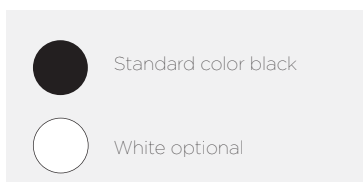
Prune X1225

	81%
	17,5 kW
	22 kW
	0,16%
	4,7 kg/h
	297 kg
	40 cm



Prune + X1222-210 + X1222-215

Picture of Prune with black glass option



X1222-210 / X1222-215

Option to request in black glass finishing on the upper base and the lower platform base.



General features



Ceiling plate.



Glass-ceramic glass.



Mirrored glass.



External air intake.

Guarantees that the air in the house is healthier. Does not interfere with domestic air extraction devices, such as those in the kitchen and bathroom.



Double combustion.

Makes an extra contribution of oxygen that enables the combustion gases to burn better.



Primary and secondary register.

Provides oxygen for the lower and upper part of the glass.



Ember grate and ash pan.

D-10
Barbara-90
Giselle-80
Giselle-100



Ember grate and ash pan.

Born
Vertex
Oban
City
Drop
D-7
D-8
D-9

Barbara-120
Aitana
Estela
Gala
Prune



Flue cover.



Finished flue.



Vermiculite lining.



Vermiculite lining in black.

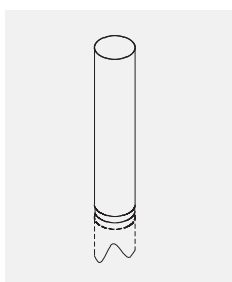


Refractory lining.

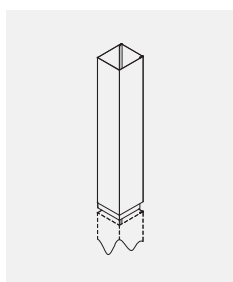


Cast-iron lining.

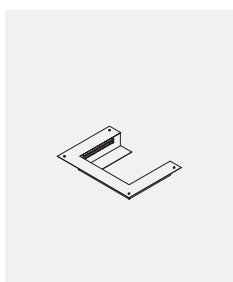
Custom adaptations



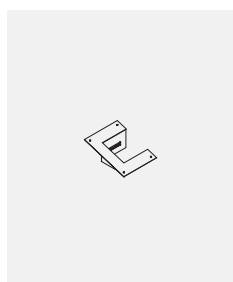
Additional finished flue.



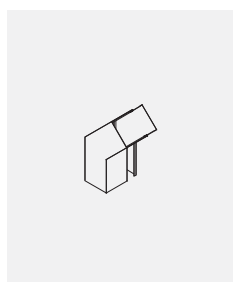
Additional flue cover.



Special trim.



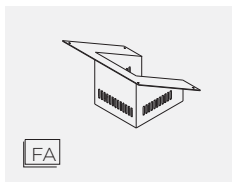
Sloped trim.



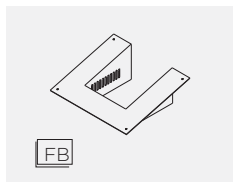
Corner piece.

Direction of slope

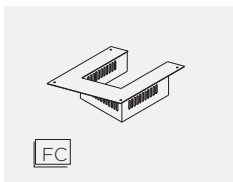
Options for frontal model



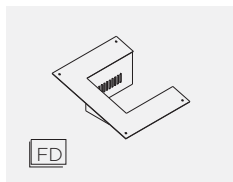
FA



FB



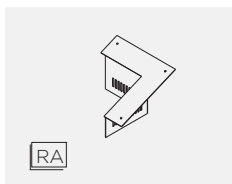
FC



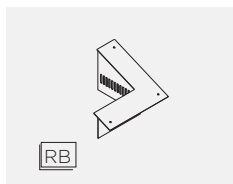
FD

* Trim may slope in two directions and not match any of the examples. Please enquire about special cases.

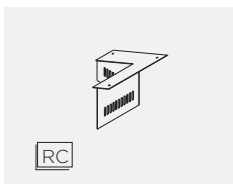
Options for corner model



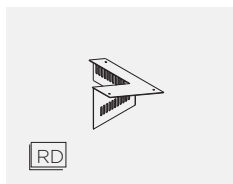
RA



RB



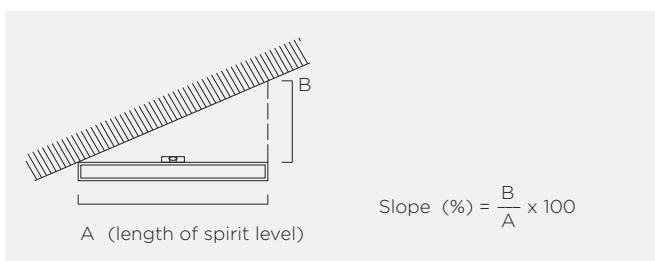
RC



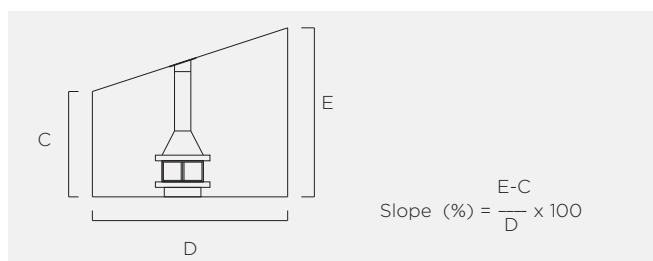
RD

Measuring the slope

Using spirit level

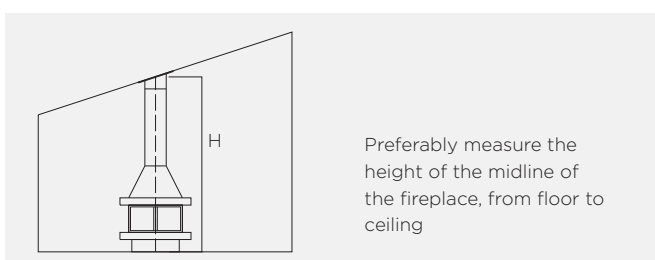


Using a tape measure



Measuring the height

Frontal fireplace



Corner fireplace



I Symbols



Efficiency



Rated power kW



Maximum power



CO al 13%O₂ Carbon monoxide emission



Fuel consumption per hour



Weight



Log length



UNE-EN XXXX certified.



New model

© Copyright of this edition held by Manufacturas Rocal, SA.
All rights reserved. No part of this publication may be reproduced, stored or sent by any means without the permission of Manufacturas Rocal, sa.

Rocal reserves the right to modify any of the features and finishes of its products without prior warning.

Manufacturas Rocal SA

Raval Sant Antoni, 2
08540 Centelles
Barcelona

www.rocal.es

man.rocal@rocal.es
T +34 93 8812451
F +34 93 8810631

Manufacturer

Manufacturas Rocal SA

Product design

Manufacturas Rocal SA and Joan Gaspar

Decorative frame design

Berta Noguer

Graphic design

Integrum

Photography

Integrum
Foto-disseny JE

Copyright

Manufacturas Rocal SA, september 2015

More information
www.rocal.es



Manufacturas Rocal SA

Raval Sant Antoni, 2
08540 Centelles
Barcelona

www.rocal.es

man.rocal@rocal.es
T +34 93 8812451
F +34 93 8810631

