

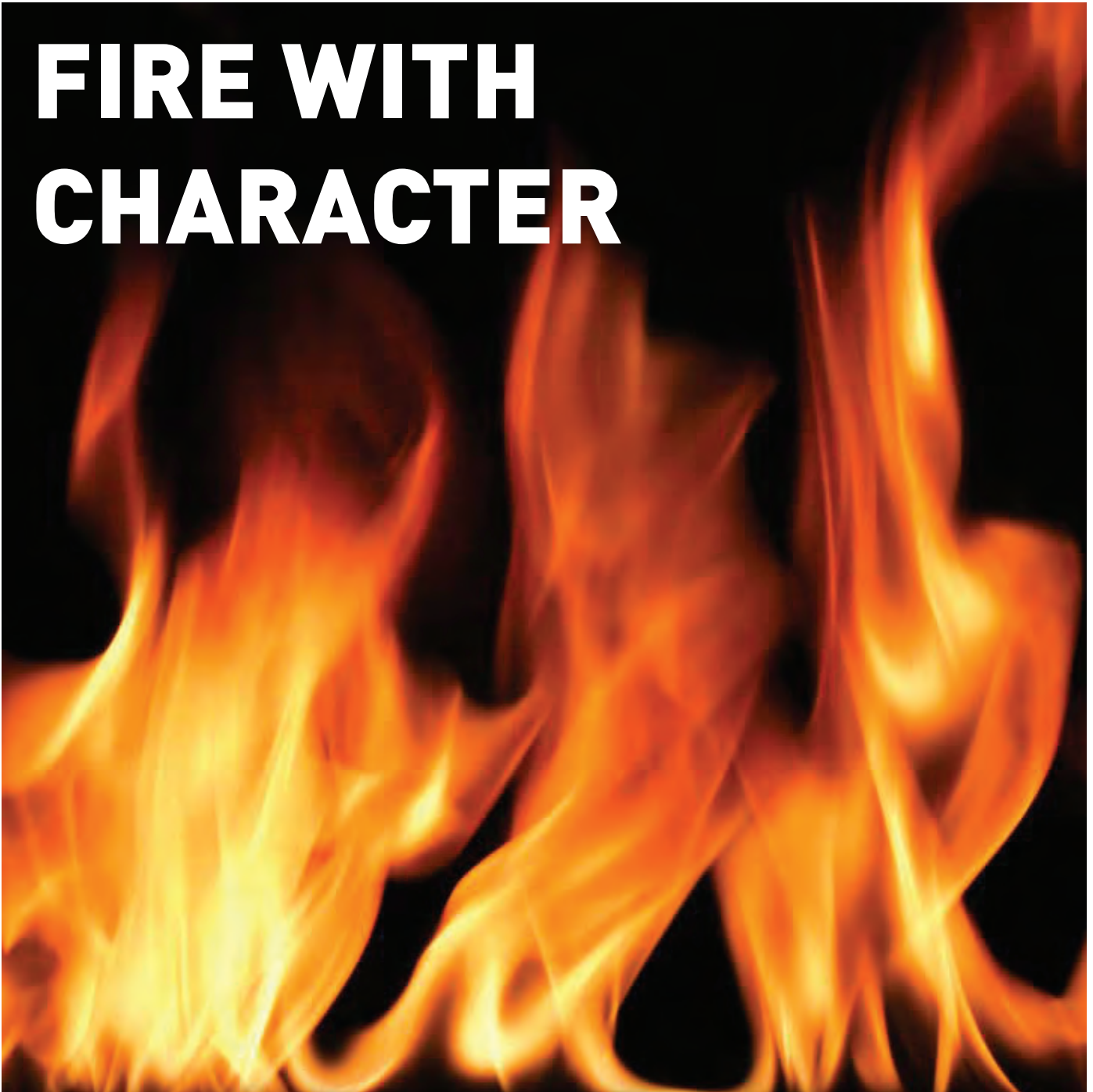


Fire with **Character**



Catalogue
2020–2021

**FIRE WITH
CHARACTER**



STOVES

ROCK 28

BOLD 30

SENSE 32

VINTAGE 34

540 36

640 38

760 40

TAI 42

BOW 44

BRUT 46

325CB-525CB 48

CLASSICSS

ASTROLINE 50

250-425GM 52

100CBS-300CB 54

40CBS 54

GAS STOVES

VIRTUS 58

SENSE 60

VINTAGE 62

CLASSICS

These are older models, but still very popular in some countries; therefore still kept in the international Dovre range.

FIREPLACES

VISTA C (WITH CONVECTION BOX) 66

VISTA (WITHOUT CONVECTION BOX) 68

VISTA I (INSERT) 70

ZEN 72

2575 74

2180 76

PHOENIX 78

20 SERIE MODERN 80

20 SERIE ROBUST 82

LIMITED STOCK

2100 84

TECHNICAL SPECIFICATIONS

87

DRAWINGS

104

ACCESSORIES

127

LIMITED STOCK

These devices are available as a limited stock item (special series). Check our website for availabilities.



E12

ROCK350TB

P. 28



ROCK350WB

P. 28



E12

ROCK500TB

P. 28



ROCK500WB

P. 28



E12

BOLD300

P. 30



BOLD400

P. 30



E12

SENSE103

P. 32



SENSE203

P. 32



SENSE303

P. 32



SENSE403

P. 32



E8 E12

VINTAGE35

P. 34



E12 E8

VINTAGE50

P. 34



540W

P. 36



E8

640WD

P. 38



E8

760WD

P. 40



760GM

P. 40



TAI35W

P. 42



TAI45WD

P. 42



TAI45MD

P. 42



TAI55WD

P. 42



TAI55MD

P. 42



BOW

P. 44



BOW/P

P. 44



BOW/WB

P. 44



BRUT

P. 46



325CB

P. 48



525CB

P. 48



ASTRO2/L

P. 50



ASTRO3CB/P

P. 50



ASTRO4CB/P

P. 50



250

P. 52



425GM

P. 52



100CBS

P. 54



300CB

P. 54



40CBS

P. 54



VIRTUS50GA(O)(P)

P. 58



VIRTUS70GA(O)(P)

P. 58



SENSE203GA(O)(P)

P. 60



VINTAGE35GA(P)

P. 62



VINTAGE50GA(P)

P. 62



VISTA701C-702C

P. 66



VISTA801C-802C

P. 66



VISTA901C-902C

P. 66



VISTA701I-702I

70



VISTA801I-802I

P. 70



ZEN100

P. 72



ZEN102

P. 72



2575

P. 74



2180CBS

P. 76



2180CBC

P. 76



PHOENIX 1 & 2

P. 78



PHOENIX 3

P. 78



PHOENIX 4

P. 78



2620SC

P. 80



2320SC

P. 80



2120SC

P. 80



2520S

P. 82



2220S

P. 82



2020S

P. 82

LIMITED STOCK



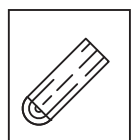
2100S

P. 84

Legend

Used abbreviations:

C	with convection box
GA	closed combustion system
GAO	open combustion system/
(G)M	multifuel appliance
MD	multifuel appliance
W	wood
WD	wood + side loading door
/L	wood + side loading door
/P	on pedestal
/TB	on tablet
/WB	on woodbox



WOOD



REAR CONNECTION



WHITE WHITE



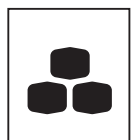
CREAMY WHITE



GAS



TOP CONNECTION



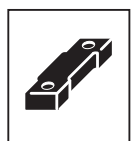
COALS



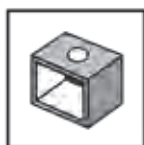
BUILT-IN



**OPEN
COMBUSTION
SYSTEM**



LIGNITES



INSERT



**BALANCED FLUE
CLOSED COMBUSTION
SYSTEM**



**OUTSIDE AIR
CONNECTION**



Black - Wood panels



White - HPL panels



Black - HPL panels



White - HPL panels

Choose the accessories you'd like to use:



Plancha



Hob



Grill



Pizza



Lid

FERLEON
Delicious Design

OUTDOOR COOKING

Made in Belgium (Dovre foundry)

Single & dual gas BBQ

Enamelled cast iron cooking surfaces

Sustainable & eco-friendly

Fun for terrace, balcony or garden



For more info, visit www.ferleon.com



Who are we?

Dovre NV of Belgium is a family owned company that specialises in the development, production and sales of fireplaces and stoves in high quality cast iron. The company has been a reference in cast iron for many years already. Dovre products are best known for their quality and attractive design, high efficiency and environmentally responsible combustion. These performance parameters, which are well above international standards, are the result of a great deal of professional expertise and commitment. Dovre stands for authentic warmth with real flames, and for tastefully designed products that will suit any living room. The company keeps investing in the creation of individual warming products that meet the strictest environmental standards worldwide!

Fire with Character

Dovre fireplaces and stoves have their origins in the harsh winters of the far north. They have been proving their exceptional quality day after day for more than 80 years. Over the past years, Dovre products have gained an iron-clad reputation for innovative heating technology in our part of the world as well. Hundreds of thousands of people are already enjoying the cosy warmth and comfort of a Dovre in their living room. Dovre stoves and fireplaces are made of the perfect heat conductor: high quality cast iron.

Cast iron the way only DOVRE makes it!

Since Dovre built a state-of-the-art foundry in Belgium in the early 1980s, it has also gained a strong position in the supply market: the high degree of automation of the foundry for castings with a low wall thickness and up to a weight of approximately 30 kg. Our castings are not only characterised by their stability of shape and high dimensional accuracy, but also by the aesthetics of their surface structure, which, thanks to their ultra-fine form and installation, guarantees a perfect finish. The Dovre foundry has specialised in the production of large series, reason why it is the ideal partner for high-quality cast iron parts. In addition, Dovre has extensive processing and assembly facilities at its disposal, as well as a highly equipped sheet metal working installation and an ultramodern enamelling installation.



Tom Gehem, CEO



Stoves

Dovre offers you a broad range of modern, timeless or traditional stoves, made in premium grade cast iron using the most modern production techniques. Our stoves are available in a range of designs and make a stylish feature in any interior. Unlike a built-in or cassette fireplace, a stove is free standing in front of the chimney opening. That lets you enjoy more of the cosy radiant heat around it. Dovre's renewed heating technology guarantees environmentally responsible combustion and high efficiency.

The Dovre range consists mainly of wood-burning stoves, but we also retain a range of "multi-fuel" appliances with which you can burn wood, briquettes and coal. And we offer also an extensive choice of gas stoves.

Built-in and insert fireplaces

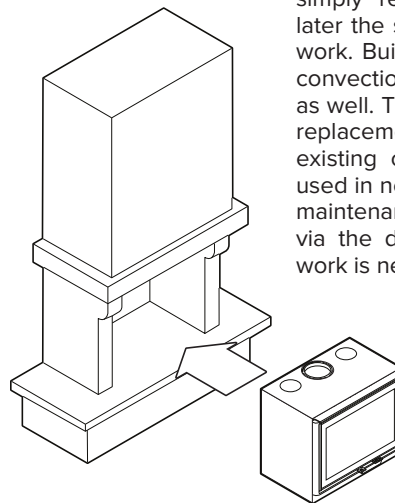
People have been warming themselves in front of an open fire for centuries. The dancing flames have a huge attraction for us. A fireplace or insert now offers a one-size-fits-all alternative to a traditional "dirty" open fire. Modern combustion techniques ensure that your "closed" fire becomes a very functional and environmentally conscious way of heating and heating. Thanks to highly efficient combustion, you have much more control over fuel consumption and pollutant emissions.

Gas stoves

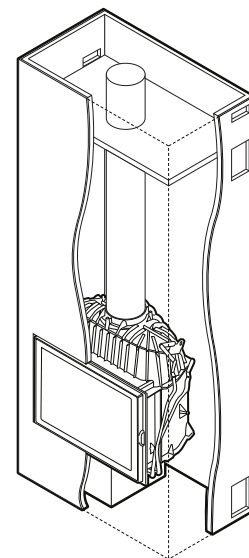
The comfort and convenience of a gas stove... Do you want the cosy atmosphere of a real wood stove, but burning firewood is not an option? Then you will love a Dovre gas stove.. Our gas stoves provide the cosiness of the wood fire, along with the convenience of burning with gas, without worries.

Insert, cassette or inset fireplaces

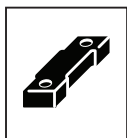
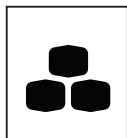
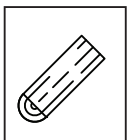
are made in a compact shape with a flat top so that they can be slid into an opening in the chimney. The frame of the appliance covers the opening. These appliances can be simply removed from the chimney later the same way without structural work. Built-in inserts are fitted with a convection box and often have fans as well. They are typically used in the replacement market and installed in existing chimneys, but can also be used in new build projects. All normal maintenance work can be carried out via the door opening. No structural work is needed for this.



Built-in fireplaces are fully built into the chimney and cannot be removed afterwards without major structural work. They are available with or without a convection box and fans. Built-in fireplaces are generally fitted into newly built chimneys. All normal maintenance work can be carried out via the door opening. No crushing work is required.







FUELS

The solid fuels you can select are wood, coal and lignite briquettes. Wood and coal burn in totally different ways.

GAS a gas stove is very user-friendly: you can easily turn it on and off, or program it. The flame does not look the same as a wood fire. You can choose between open or closed combustion. With closed combustion fresh air is supplied via a double-skinned flue.

WOOD burns away completely and produces more combustion heat, which provides a more pleasing effect. Good firewood must be completely dry. The moisture level must not be higher than 15%, or the wood will burn at too low a temperature, causing a significant drop in efficiency and possibly releasing noxious gases into the environment. Also, if the temperature is too low, soot can form in the flue.

COAL relies on heat from embers. When buying coal you need to check the ash content. This must not be higher than 5%.

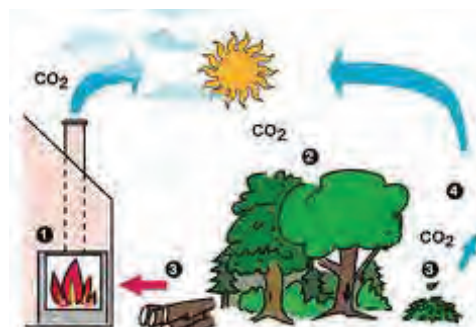
LIGNITE BRIQUETTES are simple to use, burn slowly and keep the stove hot for a long time.

SIDE WITH THE PLANET: CHOOSE WOOD HEATING!

When it comes to the climate, wood as a source of renewable energy performs considerably better in CO₂ emissions than other fuels. Furthermore, Dovre invests heavily in R&D of stoves and fireplaces that produce less suspended particles and as a result have less impact on the environment. But these are not the only advantages to heating with a wood-burning stove!

* WOOD SCORES HIGH AS A RENEWABLE ENERGY SOURCE

Wood-burning is very climate-friendly because it embodies the cycle of nature: a tree absorbs CO₂ during its entire lifespan, which compensates for the CO₂ that it releases during combustion. Every tree that is cut down makes space for the planting of a new one. Firewood is also a product of the pruning and management of woodland. This makes wood heating an integral part of the natural cycle and, as such, less of a contributor to global warming.



* MODERN WOOD STOVES PRODUCE LESS PARTICULATE MATTER

The amount of particulate matter and other CO₂ emissions that modern wood stoves produce is decreasing all the time. Technology has improved in leaps and bounds with the result that stoves are much more efficient in energy conversion than the old ones they replace, and burn more cleanly. The user can also help to lower emissions by ensuring that only dry, virgin timber is burned and the stove maintained regularly.



*** WOOD STOVES ARE ALMOST COMPLETELY RECYCLED**

Dovre encourages the replacement of old, out-dated and polluting stoves. We then use these old stoves as raw material for new ones. The cradle-to-grave design of our wood stoves means that 80 to 90% of this material is directly used in our new stoves. Almost nothing is lost and the circular chain is kept short.

*** WOOD HEATING IS INEXPENSIVE AND GOOD FOR THE LOCAL ECONOMY**

When you heat with wood, you pay less for energy. It's actually free if you have your own wood source, but even if you have to buy logs, wood chips or pellets, wood is still cheaper than any other fuel, including oil and gas. And unlike other fuels, the cost of this type of heating remains very stable. Buying from local wood producers also reduces the carbon footprint for transport and contributes to the development of the local economy.

*** WOOD HEATING IS AN AUTONOMOUS AND SECURE ENERGY SOURCE**

Wood is the only energy source that users can control themselves since it is easy and safe to store and can be used any time it is needed. Wood is actually a reservoir of energy produced by the sun that is converted into heat through combustion – on demand. This makes wood an indispensable link in any sustainable energy strategy.

*** THE COSY WARMTH OF A WOOD-BURNING STOVE HAS A PROVEN WELLNESS EFFECT**

Wood stoves create an intense sensation of well-being and restfulness that can not be compared with any other type of heating. Studies show that the gentle radiating of heat, the cosy crackling of wood, the lovely scent and the play of different coloured flames have a relaxing, stress-reducing impact on us.

Want to know more?

Check out further information, facts & figures at www.energieuithout.be (French and Dutch) and at www.dovre.en-be.





AIRWASH: FOR A GLASS THAT STAYS CLEAN FOR A LONGER TIME

Dovre's Airwash system uses a spoiler to draw the air flow for secondary combustion across the glass. That keeps unburned fumes and condensation away from the glass, keeping the glass clean longer.

SECONDARY COMBUSTION TECHNOLOGY

FOR HIGH EFFICIENCY AND A CLEANER ENVIRONMENT

The latest generation of Dovre stoves has a unique dual combustion system. Secondary air is taken into the stove from the rear. This is first heated and then piped into the combustion chamber. This causes secondary combustion which consumes the remaining combustible flue gas. Result: improved heat production and cleaner and environmentally friendly combustion.

EFFICIENCY

The higher the efficiency, the more heat you get and the less fuel you need. The efficiency of Dovre woodburning stoves and fireplaces is optimised using secondary combustion, where a separate air inlet allows combustion gas to burn. That is good for efficiency, safety and the environment. It also results in more complete combustion resulting in much less ash being left behind.

CAPACITY

Choose your appliance to suit the room you want to heat. You will get the best results if your appliance constantly burns at its Nominal power. If your appliance is too large, it will often operate at a combustion level that is too low. The result will be incomplete combustion, which is not good for your chimney (increased risk of chimney fire because of soot deposits), nor for the environment (unburned flue gases in the atmosphere).

DIRECT FRESH AIR SUPPLY: "OUTSIDE AIR"

Did you know that your stove or fireplaces can take air straight from outside?

AIR FROM OUTSIDE OR FROM ANOTHER ROOM?

You can choose where the fresh air is taken from: straight from outside, but also from an adjacent room, cellar or storage space.

CLEAN, SAFE COMBUSTION

This outside air supply means that the air needed is constantly taken in from outside and the delicate balance of aeration and ventilation is undisturbed. After being heated, the outside air is going straight into the combustion chamber, resulting in clean, safe combustion.

HEALTHY INSIDE AIR AND WONDERFUL HEAT!

An outside air supply means that clean and healthy internal air is guaranteed while you enjoy the blissful warmth!

DOVRE PRODUCTS WITH OUTSIDE AIR SUPPLY

Much of our range is already supplied with a connection to feed air from outside (diameter 100 mm). These products are listed at the back of this catalogue under "technical specifications".

5 + 5 = 10 YEAR GUARANTEE

Dovre strives to deliver top quality. By combining workmanship, the use of high quality materials and parts and rigorous quality control, Dovre can offer a 5 year guarantee on the cast iron*. The guarantee for cast iron is extended by another 5 years if you submit the online guarantee form on our website within three months after purchase.

(* except for components which come in direct contact with the flames, such as glass, grates, inner panels, etc.



ECOLABEL

Europe has drawn up strict rules on how to calculate the energy label. Measuring and calculating is the task of the manufacturer. He calculates the Energy Efficiency Index (EEI) by taking the following parameters into account:

- the energy efficiency
- the type of fuel (pellet stoves: class A to A++, wood-burning stoves: class B to A+, gas-fired and coal-fired stoves: class D to A, open fires: class G to E)
- energy-saving functions (thermostat, remote controls, etc.)
- any electricity consumption (lighting, convection fans, etc.)
- the presence of a permanent pilot flame

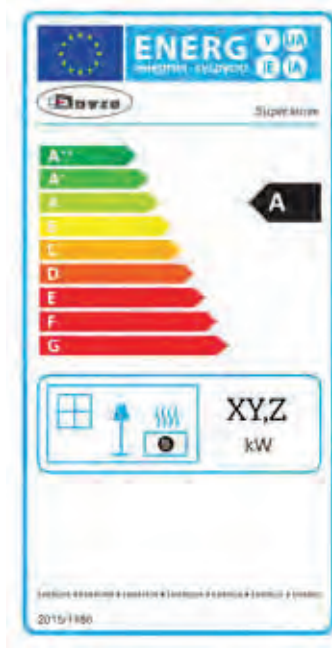
As from January 2018 all manufacturers are obligated to provide an energy label and technical specifications with each appliance. This ecolabel will display the energy efficiency.

It will take into account not only efficiency and fuel, but also particulate emissions and automatic air control. In addition to the energy score, the EU Ecolabel also says something about the environmental friendliness of a stove, while the energy label is only about energy efficiency.

You can find all the technical specifications per appliance at the end of this catalogue. On the label itself you'll find a score that indicates the efficiency.

This label is a measure for the consumer to see how economical, environmentally friendly and/or energy-saving the purchased product is. It also often contains information about the performance of the product and the materials used in its production.

Energy class: a scale from A to G, the colour of which changes from dark green to yellow and red. The lower the indicated value, the more energy-efficient the product purchased is in relation to similar products with the same capacity.



Energy efficiency class

A++
A+
A
B
C
D
E
F
G

Energy efficiency index (EEI)

$EEI \geq 130$
 $107 \leq EEI < 130$
 $88 \leq EEI < 107$
 $82 \leq EEI < 88$
 $77 \leq EEI < 82$
 $72 \leq EEI < 77$
 $62 \leq EEI < 72$
 $42 \leq EEI < 62$
 $EEI < 42$

ECO DESIGN READY

A product policy will apply to new stoves from 2022 (Ecodesign guideline). This means that only appliances that meet type approval requirements will be placed on the market. If an appliance meets the type approval requirements, the manufacturer may affix a CE mark. The type approval requirements relate to efficiency, safety aspects and emissions. All our products are already ECO DESIGN ready (except for the ZEN series, 325CB and 40CBS).



ENAMEL

Dovre's freestanding stoves have a black-lacquered finish. When available in enamel it is explicitly stated. Your stove is not just a heat source, but also a decorative element that fits perfectly into your interior design. Enamelling uses a two layer system developed using the most recent and most modern technologies which guarantees a high quality finish. You can choose from a unique range of glossy colours to help integrate your stove perfectly into any interior. The enamelled surface is also easy to clean, keeping your stove looking new for years to come!

Enamelled flue pipes, in matching colours are available for our stoves.





STOVES

ROCK

is a robust looking wood-burning stove with soft edges. Easy operating through its single air control, directly connectable to outside air and an innovative "slam-lock" closing mechanism.



ROCK350TB/E12

ROCK350WB

ROCK500TB

	Dimensions Width/Height/Depth	Length of logs (cm)	Nominal output (kW)	Colour(s) available	Brief technical details
ROCK350TB	510x745x375	35 cm	7,0	■ E12	
ROCK350WB	510x745x375	35 cm	7,0	■	
ROCK500TB	660x745x375	50 cm	9,0	■ E12	
ROCK500WB	660x745x375	50 cm	9,0	■	

LIMITED STOCK: [check our website for availabilities](#)



E14

E12

E14

ROCK350WB

ROCK500WB

ROCK500WB

ROCK350TB



innovative "slam-lock"
closing system

BOLD

is known for its round, monolithic design, the character of a modern stove. Both the innovative "slam-lock" closing system as the single air supply control, directly connectable to outside air, make this stove easy to use.



BOLD300



BOLD400



BOLD300/E12

	Dimensions Width/Height/Depth	Length of logs (cm)	Nominal output (kW)	Colour(s) available	Brief technical details
BOLD300	490x1010x420	35 cm	7,0	■ E12	
BOLD400	490x1130x415	35 cm	7,0	■	

BOLD300/E12



single air control
by rotative disk

SENSE

The flowing lines of the SENSE result in a particularly elegant finish with 3-sided view on the flames.

The smaller models (103-203) are especially suitable for low energy houses thanks to its high efficiency and small power output.

The SENSE comes with a "slam-lock" mechanism and easy to operate through the single air control, directly connectable to outside air.



SENSE103/E12

SENSE203

SENSE303

SENSE403

	Dimensions Width/Height/Depth	Length of logs (cm)	Nominal output (kW)	Colour(s) available	Brief technical details
SENSE103	470x900x360	33 cm	7,0	■ E12	
SENSE203	470x980x360	33 cm	7,0	■	
SENSE303	555x1060x440	40 cm	9,0	■	
SENSE403	555x1160x440	40 cm	9,0	■	

LIMITED STOCK: [check our website for availabilities](#)



SENSE203

SENSE403



SENSE103/E12 on short legs
(= optional)



innovative "slam-lock"
closing mechanism

VINTAGE

A striking "RETRO" look. Even after one decade, the VINTAGE series still remains a distinctive acquisition for your interior decoration.

Our first stove to be equipped with a "slam-lock" closing system, but still with a double air control, directly connectable to outside air.



VINTAGE35/E12

VINTAGE35

VINTAGE50/E8

	Dimensions Width/Height/Depth	Length of logs (cm)	Nominal output (kW)	Colour(s) available	Brief technical details
VINTAGE35	505x685x445	35 cm	7,0	<div style="display: flex; gap: 5px;"> <div style="border: 1px solid black; width: 15px; height: 15px; background-color: black;"></div> <div style="border: 1px solid black; width: 15px; height: 15px; background-color: white; text-align: center; font-size: 8px;">E12</div> <div style="border: 1px solid black; width: 15px; height: 15px; background-color: white; text-align: center; font-size: 8px;">E8</div> </div>	
VINTAGE50	690x690x445	50 cm	9,0	<div style="display: flex; gap: 5px;"> <div style="border: 1px solid black; width: 15px; height: 15px; background-color: black;"></div> <div style="border: 1px solid black; width: 15px; height: 15px; background-color: white; text-align: center; font-size: 8px;">E12</div> <div style="border: 1px solid black; width: 15px; height: 15px; background-color: white; text-align: center; font-size: 8px;">E8</div> </div>	

LIMITED STOCK: [check our website for availabilities](#)



E8

VINTAGE30

E9

VINTAGE30

E9

VINTAGE35

VINTAGE50




vintage "detachable"
door handle

540

A smaller version of Dovre's "CLASSIC" bestseller, equipped with a direct outside air connection and a single air control mechanism.



540W

	Dimensions Width/Height/Depth	Length of logs (cm)	Nominal output (kW)	Colour(s) available	Brief technical details
540W	540x740x475	35 cm	6,5	■	

540W









single air control

640

Taking advantage of the re-styling of our best selling "CLASSIC" model, the new 640WD comes now both with a direct outside air connection and a single aire control mechanism



640WD

	Dimensions Width/Height/Depth	Length of logs (cm)	Nominal output (kW)	Colour(s) available	Brief technical details
640WD	650x760x550	45 cm	10,0	 	   

LIMITED STOCK: [check our website for availabilities](#)



E6

640WD

38

> SEE TECHNICAL SPECIFICATIONS
> SEE DRAWINGS

ON PAGE 90
ON PAGE 108

640WD



single air control

760

Taking advantage of the re-styling of our best selling "CLASSIC" model, the new 760WD comes now both with a direct outside air connection and a single air control mechanism






If you prefer a multi-fuel stove, the 760GM, with its thermostatic control for coal combustion, still remains available in our range.



760WD

760WD

760GM

	Dimensions Width/Height/Depth	Length of logs (cm)	Nominal output (kW)	Colour(s) available	Brief technical details
760WD	780x800x580	55 cm	12,0	 	
760GM	780x800x580	40 cm	11,0		

LIMITED STOCK: [check our website for availabilities](#)



760WD

760WD



OPTION: External air kit
760GM



filling lid for coal in top plate
of multi-fuel version

TAI

TAI stands for simplicity and reliability thanks to its austerity, both in design and features. If you opt for high efficiency and warmth at an affordable price, amongst the TAI family you definitely find what you are looking for.

The TAI multi-fuel versions, with its large coal funnel, can provide up to 36 hours of autonomy.



TAI55WD

TAI45WD

TAI35W

	Dimensions Width/Height/Depth	Length of logs (cm)	Nominal output (kW)	Colour(s) available	Brief technical details
TAI35W	520x785x400	35 cm	6,5	■	
TAI45WD	615x800x425	45 cm	9,0	■	
TAI45MD	615x800x465	45 cm	9,0	■	
TAI55WD	715x800x425	55 cm	11,0	■	
TAI55MD	715x800x465	55 cm	11,0	■	

TAI45WD



short legs TAI as an option



cooking plate and ornamental cover optional only for MD-version

BOW

The oval design and the elegantly curved casted door ensure a large panoramic view on the fire.

There's a choice between 3 versions: on pedestal, on woodbox or on legs.






BOW/P



BOW



BOW/WB

	Dimensions Width/Height/Depth	Length of logs (cm)	Nominal output (kW)	Colour(s) available	Brief technical details
BOW	700x770x460	50 cm	9,0	■	
BOW/P	700x870x460	50 cm	9,0	■	
BOW/WB	700x865x460	50 cm	9,0	■	

BOW/WB



curved glass door



oval design

BRUT


Robust industrial look without frills, but with a high, large glass door, which attracts the attention to the flames.



BRUT
(on high legs)



BRUT
(on short feet, casted
into bottom plate)

	Dimensions Width/Height/Depth	Length of logs (cm)	Nominal output (kW)	Colour(s) available	Brief technical details
BRUT	460x980x395	35 cm	6,5	■	

BRUT



side view



325CB-525CB

Because of their unique shape these are Dovre's "all-purpose" stoves, suitable to fit in modern, classic or rustic interiors. Equipped with direct outside air connection.



325CB

525CB

	Dimensions Width/Height/Depth	Length of logs (cm)	Nominal output (kW)	Colour(s) available	Brief technical details
325CB	465x655x490	30 cm	6,0	■	
525CB	525x750x475	40 cm	8,0	■	

525CB



handle 525CB

ASTROLINE

ASTROLINE are the "first" series of vertical combustion chambers within Dovre's range. Whether you choose Astro4, 3 or 2, the design was and still is contemporary, without compromising on functionality, like the direct outside air connection.



ASTRO2/L



ASTRO3CB/P



ASTRO4CB/P

	Dimensions Width/Height/Depth	Length of logs (cm)	Nominal output (kW)	Colour(s) available	Brief technical details
ASTRO2/L	520x890x450	30 cm	7,0	■	
ASTRO3CB/P	515x1140x420	25 cm	8,0	■	
ASTRO4CB/P	475x1140x430	25 cm	8,0	■	

ASTRO4CB/P



250-425GM

"Traditional" look & feel multi-fuel models out of our "CLASSICS" family



250

425GM

	Dimensions Width/Height/Depth	Length of logs (cm)	Nominal output (kW)	Colour(s) available	Brief technical details
250	455x645x405	30 cm	6,0	■	
425GM	550x765/845x445	40 cm	8,0	■	

425GM



250



250



details 425GM

100CBS-300CB-40CBS

100CBS-300CB-40CBS are part of our "NORDIC" range: reliable wood stoves with a traditional "Norwegian saga" on the cast-iron side panels.



100CBS



300CB



40CBS

	Dimensions Width/Height/Depth	Length of logs (cm)	Nominal output (kW)	Colour(s) available	Brief technical details
100CBS	515x620x340	30 cm	5,0	■	
300CB	810x730x365	60 cm	6,0	■	
40CBS	600x715/775x350	40 cm	6,0	■	

300CB + 200 + 400



100CBS + 200



40CBS + 5T



loading door



details 100CBS

A close-up, low-angle shot of a person's legs wearing light blue denim jeans with the cuffs rolled up. They are walking on a dark wood floor. The background is softly blurred, showing green foliage and a white object. The text 'GAS STOVES' is overlaid in the center in a large, white, bold, sans-serif font.

GAS STOVES

VIRTUS

a "classic" look & feel gas stove with very realistic logs, which makes the flames almost indistinguishable from a real wood fire, providing an even more classic cachet.

The Virtus comes in two sizes, is equipped with a double burner and wave effect, and is available in closed (balanced flue) or open combustion system.



VIRTUS50GA

VIRTUS50GA/E8

VIRTUS70GA

	Dimensions Width/Height/Depth	Output (kW): Nominal	Colour(s) available	Brief technical details
VIRTUS50GA(P)	588x720x440	7,0	■ E8	
VIRTUS50GAO	588x720x440	6,0	■ E8	
VIRTUS50GAOP	588x720x440	5,0	■ E8	
VIRTUS70GA(P)	710x720x440	7,5	■ E8	
VIRTUS70GAO	710x720x440	7,2	■ E8	
VIRTUS70GAOP	710x720x440	7,0	■ E8	

VIRTUS50



Remote control



Wood logs



Details side panel

SENSE

The flowing lines of the SENSE result in a particularly elegant finish with 3-sided view on the fire, where extra attention was paid to the flames thanks to the use of a double burner with wave effect.

The appliance is available with a closed combustion system (balanced flue) or with an open system. This gas stove comes with wood logs, but white pebbles or black coals can be chosen as an option for your interior lining.



SENSE203GA

	Dimensions Width/Height/Depth	Output (kW): Nominal	Colour(s) available	Brief technical details
SENSE203GA(P)	470x980x365	5,5	■	
SENSE203GAO(P)	470x980x365	5,5	■	

S203.111



Remote control

available as options:



white pebbles



black coals

VINTAGE

a striking "RETRO" look. Even after one decade, the VINTAGE series still remains a distinctive acquisition for your interior decoration.

This gas stove is only available in closed (balanced flue) combustion system; only equipped with a flat burner bed, thanks to the realistic wood logs, the flames are as real as a wood fire.



VINTAGE50GA

VINTAGE35GA

	Dimensions Width/Height/Depth	Output (kW): Nominal	Colour(s) available	Brief technical details
VINTAGE35GA	505x685x445	7,0	■	
VINTAGE35GAP	505x685x445	4,4	■	
VINTAGE50GA	690x690x445	9,0	■	
VINTAGE50GAP	690x690x445	6	■	

LIMITED STOCK: [check our website for availabilities](#)



VINTAGE35GA(P)

VINTAGE35GA



remote control

A landscape photograph showing a field of tall, dry grasses in the foreground, transitioning into a dense line of green trees in the background. The sky is overcast with soft, grey clouds. The overall scene is natural and serene.

FIREPLACES

VISTA C (WITH CONVECTION BOX)

With the new design of VISTA built-in fireplaces, we have taken a different approach combining craftsmanship and quality with a "sleek" design. Although the focus is on the spectacle of the flames, the device itself makes use of today's most refined combustion techniques.

This appliance is supplied with a convection box to ensure a very simple installation: optimal hot air circulation in the living room is guaranteed and in combination with a fan set you can simply move excess hot air to other rooms.

The Vista C built-in fireplace also offers, together with the easy to use insulation materials, the necessary protection against overheating of the decorative elements around it.

This cosy fireplace fits excellent in every living room. You have the choice between slat-shaped cast iron or vermiculite stones for the interior lining. In terms of finishing touch, you can choose for "minimalistic", using the 4 mm. "slim-trim" around the fireplace or add the additional wider frame of 25 mm., which is delivered with the unit.



VISTA701C / VISTA702C

VISTA801C / VISTA802C

VISTA901C / VISTA902C

	Dimensions Width/Height/Depth	Length of logs (cm)	Nominal output (kW)	Colour(s) available	Brief technical details
VISTA701C & 702C	720x1010-1050x415	50 cm	10,0	■	
VISTA801C & 802C	820x1010-1050x415	60 cm	12,0	■	
VISTA901C & 902C	920x1010-1050x415	60 cm	14,0	■	

VISTA802C



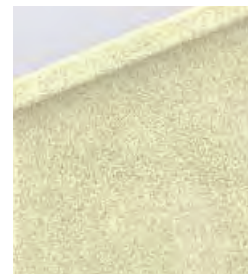
Cold hand



minimalistic "slim-trim"
deep frame



VISTAx1C: slat-shaped cast iron



VISTAx2C: vermiculite stones







VISTA **(WITHOUT CONVECTION BOX)**

With the new design of VISTA built-in fireplaces, we have taken a different approach combining craftsmanship and quality with a "sleek" design. Although the focus is on the spectacle of the flames, the device itself makes use of today's most refined combustion techniques.

This appliance comes without a convection box: air circulation will have to be created between the fireplace and its decorative surround.

This cosy fireplace fits excellent in every living room. You have the choice between slat-shaped cast iron or vermiculite stones for the interior lining. In terms of finishing touch, you can choose for "minimalistic", using the 4 mm. "slim-trim" around the fireplace or add the additional wider frame of 25 mm., which is delivered with the unit.

* The VISTA fireplaces without convection box are only available as long as stock will last.

	Dimensions Width/Height/Depth	Length of logs (cm)	Nominal output (kW)	Colour(s) available	Brief technical details
VISTA701* & 702*	680x400x400	50 cm	10,0		
VISTA801* & 802*	780x450x400	60 cm	12,0		
VISTA901* & 902*	880x450x400	60 cm	14,0		

LIMITED STOCK: [check our website for availabilities](#)



VISTA701 VISTA801 VISTA901
VISTA702 VISTA802 VISTA902

VISTA901



Cold hand



minimalistic "slim-trim"
deep frame



VISTAxx1: slat-shaped cast iron



VISTAxx2: vermiculite stones

VISTA I (INSERT)

With the new design of VISTA built-in fireplaces, we have taken a different approach combining craftsmanship and quality with a "sleek" design. Although the focus is on the spectacle of the flames, the device itself makes use of today's most refined combustion techniques.

This cozy insert transforms any existing open fireplace into an environmentally friendly closed fireplace. You have the choice between slat-shaped cast iron or vermiculite stones for the interior lining. In terms of finishing touch, you can choose for "minimalistic", using the 4 mm. "slim-trim" around the fireplace or add the additional wider frame of 25 mm., which is delivered with the unit.



VISTA701I & 702I



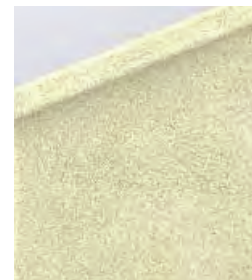
VISTA801I & 802I

	Dimensions Width/Height/Depth	Length of logs (cm)	Nominal output (kW)	Colour(s) available	Brief technical details
VISTA701I & 702I	690x490x440	50 cm	10,0	■	
VISTA801I & 802I	790x590x440	60 cm	11,0	■	

VISTA702I



VISTAx11: slat-shaped cast iron



VISTAx21: vermiculite stones

ZEN

available in front or see-through version. You choose an exceptionally efficient and environmentally friendly product. With its sleek look and unique combustion system, thanks to the deepened fire grate and the double glazing of the door(s), the spectacle of the flames is assured.

Its low output and compact dimensions make of the ZEN the top choice for low-energy houses.

Precisely for this reason it obtained the prestigious Norwegian "BioEnergy Innovation" award in 2015.



ZEN100

ZEN102

	Dimensions Width/Height/Depth	Length of logs (cm)	Nominal output (kW)	Colour(s) available	Brief technical details
ZEN100	580x765x340	30 cm	4,8	■	
ZEN102	580x765x340	30 cm	4,8	■	

ZEN102



Leg extension & wall anchor set

2575

thanks to the "Twin Baffle Plate" the exceptional environmental performance of the 2575 is not disputable.



Completely made out of cast iron, equipped with a panoramic glass door, you easily transform this fireplace into a corner or 3-sided model, thanks to the "OMB.2575" accessory.



2575CBS
(front)

2575CBS
(corner)

2575CBS
(3-sided)

	Dimensions Width/Height/Depth	Length of logs (cm)	Nominal output (kW)	Colour(s) available	Brief technical details
2575CBS	700x600x440	50 cm	10,0		

2575CBS1



Detailed picture

2180



With the 2180 series built-in fireplaces you have the choice between a modern or a classic "look"

This "extra-large" fireplace, made entirely of cast iron, offers a large choice of frames to fit perfectly into all surrounds.



2180CBC

2180CBS

	Dimensions Width/Height/Depth	Length of logs (cm)	Nominal output (kW)	Colour(s) available	Brief technical details
2180CBC	800x805x473	60 cm	15,0	■	
2180CBS	800x805x473	60 cm	15,0	■	

2180CBS



Detailed picture of 2180CBC

PHOENIX

Because of stricter environmental standards, there was a need to create a retrofit for our old 2000 and 2000S fireplaces, installed in Germany. Elsewhere too, this easy-to-use Phoenix proves to be much more ecological and a lot more efficient: double heat for half the wood consumption. In addition, it will give your old fireplace a more modern appearance and a more extensive view of the flames. Accessories are available for installations in open fireplaces or new constructions.



PHOENIX 1: Dovre T2000



PHOENIX 2: Dovre T2000S



PHOENIX 3: renovation
air grill + set legs



PHOENIX 4: new construction:
heat shield & legs

	Dimensions Width/Height/Depth	Length of logs (cm)	Nominal output (kW)	Colour(s) available	Brief technical details
PHOENIX 1	725x622x463	30 cm	9,0	■	
PHOENIX 2	725x670x474	30 cm	9,0	■	
PHOENIX 3	1122x803x423	30 cm	9,0	■	
PHOENIX 4	725x805-965x440	30 cm	9,0	■	

PHOENIX 1 or 2



Door handle

20 SERIE MODERN

Beautiful tight multi-fuel inserts, that's what the 20-Series MODERN stands for. These inserts have a contemporary design where the glass is placed in front of the cast iron door, which gives the impression of having a larger appliance with a better view on the fire.

A 25 mm cover-frame is included with each unit, a 40 mm frame is available as optional.



2120SC

2320SC

2620SC

	Dimensions Width/Height/Depth	Length of logs (cm)	Nominal output (kW)	Colour(s) available	Brief technical details
2120SC	595x495x455	40 cm	7,0	■	
2320SC	695x540x455	50 cm	8,0	■	
2620SC	695x600x455	50 cm	10,0	■	

2120SC



Detailed picture of 3-sided
40 mm wide frame.

20 SERIE ROBUST

Solid multi-fuel inserts, that's what the 20-Series ROBUST stands for. These 3 inserts have a "stark" cast iron front, which radiates a lot of strength, yet a large glass guarantees a full view on the flames.

A 3- or 4-sided, 40 mm wide, frame is available as optional.



2020S

2220S

2520S

	Dimensions Width/Height/Depth	Length of logs (cm)	Nominal output (kW)	Colour(s) available	Brief technical details
2020S	595x495x455	40 cm	7,0	■	
2220S	695x540x455	50 cm	8,0	■	
2520S	695x600x455	50 cm	10,0	■	

2520S



Detailed picture of 4-sided
40 mm wide frame.


2100

A budget "multi-fuel" fireplace, with a stark cast iron front, wich radiates a lot of strength, yet a large glass guarantees a full view on the flames.

* The 2100S is only available as "limited stock" item.



2100S

	Dimensions Width/Height/Depth	Length of logs (cm)	Nominal output (kW)	Colour(s) available	Brief technical details
2100S	670x690x410	50 cm	10,0	■	

LIMITED STOCK: [check our website for availabilities](#)



2100S

2100S



Detailed picture 2100S

A scenic photograph of a lake with a wooden dock and a weeping willow tree. The text "TECHNICAL SPECIFICATIONS" is overlaid in the center in a large, white, bold, sans-serif font. The background shows a calm body of water reflecting the sky and the bare branches of a weeping willow tree that hangs over the water from the left. A wooden dock extends from the foreground into the water. The overall mood is serene and quiet.

TECHNICAL SPECIFICATIONS

Product name	Weight (kg)		Length of logs (cm)	Diameter connection (mm)	Average temp. of flue gasses (°C)	Minimum Pressure (Pa)	Flue gas volume (g/s)	Side (Z), top (B) and/or rear (A) connection	Height chimney / flue (mm)	Ash box/tray	Output (kW): Nominal / Minimal / Maximal	Capacity (m ³)	Efficiency (%)	CO emissions % (13% O ₂)	Dust particles (mg/Nm ³)	Distance from flammable objects: Behind (mm) / Side (mm) / Front (mm)	Outside air connection	EEI energy-efficiency index	Energy-efficiency class
	Wood (W) / Lignite briquettes (L) / Coal (C)																		
ROCK350TB	120	W	35	150	274	12	5,2	B/A	610	●	7,0 / 2,3 / 9,0	140	80	0,06	34,6	200 / 400 / 800	●	107	A ⁺
ROCK350WB	125	W	35	150	274	12	5,2	B/A	610	●	7,0 / 2,3 / 9,0	140	80	0,06	34,6	200 / 400 / 800	●	107	A ⁺
ROCK500TB	140	W	50	150	288	12	9,3	B/A	610	●	9,0 / 3,0 / 11,0	180	80	0,1	29	200/ 600 / 1200	●	107	A ⁺
ROCK500WB	145	W	50	150	288	12	9,3	B/A	610	●	9,0 / 3,0 / 11,0	180	80	0,1	29	200 / 600 / 1200	●	107	A ⁺
BOLD300	130	W	35	150	356	12	5,6	B/A	850	●	7,0 / 2,3 / 9,0	140	80	0,1	33	300 / 250 / 800	●	107	A ⁺
BOLD400	145	W	35	150	356	12	5,6	B/A	985	●	7,0 / 2,3 / 9,0	140	80	0,1	33	300 / 250 / 800	●	107	A ⁺
SENSE113	100	W	33	150	351	12	5,1	B/A	610	●	7,0 / 2,3 / 9,0	140	80	0,07	25	300 / 500 / 800	●	107	A ⁺
SENSE103	105	W	33	150	351	12	5,1	B/A	790	●	7,0 / 2,3 / 9,0	140	80	0,07	21	300 / 500 / 800	●	107	A ⁺
SENSE203	125	W	33	150	351	12	5,1	B/A	870	●	7,0 / 2,3 / 9,0	140	80	0,07	21	300 / 500 / 800	●	107	A ⁺
SENSE303	145	W	40	150	352	12	7,3	B/A	930	●	9,0 / 3,0 / 11,0	180	80	0,08	19	400 / 500 / 800	●	107	A ⁺
SENSE403	175	W	40	150	352	12	7,3	B/A	1025	●	9,0 / 3,0 / 11,0	180	80	0,08	19	400 / 500 / 800	●	107	A ⁺
VINTAGE50	155	W	50	150	328	12	6,4	B/A	545	●	9,0 / 3,0 / 11,0	180	84	0,1	27	150 / 500 / 800	●	113,09	A ⁺
VINTAGE35	125	W	35	150	328	12	4,9	B/A	545	●	7,0 / 2,3 / 9,0	140	83	0,05	16	100 / 500 / 800	●	111,35	A ⁺

Options	Description
01.91673.021 HS-BOLD.121	Heat shield BOLD300 or BOLD400 / Distance from flammable objects: Behind (mm) = 50 mm
01.91658.021 HS-SENSE1/2	Heat shield SENSE100-103-113 / Distance from flammable objects: Behind (mm) = 100 mm
01.91668.021 HS-SENSE3/4	Heat shield SENSE300-303-400-403 / Distance from flammable objects: Behind (mm) = 100 mm
01.95408.021 PTN/S-S103	short legs SENSE103 (105 mm)
01.91685.021 HS-ROCK350	Heat shield ROCK350 / Distance from flammable objects: Behind (mm) = 100 mm
01.95407.021 HS-ROCK500	Heat shield ROCK500 / Distance from flammable objects: Behind (mm) = 100 mm



heat shield BOLD



heat shield SENSE



short legs SENSE103: 105 mm



heat shield ROCK350

Product name	Weight (kg)	Wood (W) / Lignite briquettes (L) / Coal (C)	Length of logs (cm)	Diameter connection (mm)	Average temp. of flue gasses (°C)	Minimum Pressure (Pa)	Flue gas volume (g/s)	Side (Z), top (B) and/or rear (A) connection	Height chimney / flue (mm)	Ash box/tray	Output (kW): Nominal / Minimal / Maximal	Capacity (m ³)	Efficiency (%)	CO emissions % (13% O ₂)	Dust particles (mg/Nm ³)	Distance from flammable objects: Behind (mm) / Side (mm) / Front (mm)	Outside air connection	EEl energy-efficiency index	Energy-efficiency class
--------------	-------------	--	---------------------	--------------------------	-----------------------------------	-----------------------	-----------------------	--	----------------------------	--------------	--	----------------------------	----------------	--------------------------------------	--------------------------------------	---	------------------------	-----------------------------	-------------------------

540W	140	W	35	150	287	12	4,8	B/A	605	●	6,5 / 2,5 / 8,5	130	82	0,1	40	300 / 400 / 800	●	109,9	A ⁺
640WD	190	W	45	150	322	2	8,7	B/A	605	●	10,0 / 3,0 / 11,0	180	75	0,1	19	350 / 400 / 800	●	107	A ⁺
760GM	225	W-L-C	40	150	342	10	8,1	B/A	645	●	11,0 / 3,7 / 13,0	220	83	0,06	25	200 / 500 / 800	○	111,06	A ⁺
760WD	210	W	55	150	343	1	10,4	B/A	645	●	12,0 / 3,7 / 13,0	220	80	0,09	15	400 / 400 / 800	●	107	A ⁺
TAI35W	85	W	35	150	339	12	4,3	B/A	610		6,5 / 3,3 / 8,5	130	81	0,07	18	400 / 400 / 1000		109,03	A ⁺
TAI45MD	170	W-L-C	45	150	410	12	8,5	A	665	●	9,0 / 3,0 / 11,0	180	75	0,09	13	300 / 450 / 800		100,19	A
TAi45WD	140	W	45	150	299	12	7,7	B/A	665	●	9,0 / 3,0 / 11,0	180	80	0,08	20	300 / 400 / 800	-	107	A ⁺
TAi55MD	190	W-L-C	55	150	407	12	8,2	A	665	●	11,0 / 3,7 / 13,0	220	75	0,09	5,1	350 / 450 / 800	-	100,19	A
TAi55WD	160	W	55	150	351	12	7,0	B/A	665	●	11,0 / 3,7 / 13,0	220	80	0,07	29	300 / 400 / 800		107	A ⁺
BOW	125	W	50	150	333	12	7,7	B	-	●	9,0 / 3,0 / 11,0	180	79	0,09	36	350 / 450 / 1300		105,55	A
BOW/P	135	W	50	150	333	12	7,7	B	-	●	9,0 / 3,0 / 11,0	180	79	0,09	36	350 / 450 / 1300		105,55	A
BOW/WB	140	W	50	150	333	12	7,7	B	-	●	9,0 / 3,0 / 11,0	180	79	0,09	36	350 / 450 / 1300		105,55	A

Options	Description
01.95400.021 HS-760WD	Heat shield 760WD / Distance from flammable objects: Behind (mm) = 200 mm
01.95401.021 HS-640WD	Heat shield 640WD / Distance from flammable objects: Behind (mm) = 150 mm
01.13401.000 BUNK760MD	Funnel for 760GM
01.91776.000 KP760GM	Cooking plate 760GM
01.91638.000 AIRKIT-K01	Outside air kit 760GM
01.95412.021 HS-540W	Heat shield 540W / Distance from flammable objects: Behind (mm) = 100 mm
01.95409.021 PTN-540	higher legs for 640WD/540W (black) (211 - 286 mm)
01.95409.087 PTN-540/E8	higher legs for 640WD/540W (creamy white) (211 - 286 mm)
01.91665.000 KPTAI45M	Cooking plate for TAI45MD
01.91663.000 SIERTAI45M	Decorative cover for TAI45MD
01.91666.000 KPTAI55M	Cooking plate for TAI55MD
01.91664.000 SIERTAI55M	Decorative cover for TAI55MD
01.91671.021 PTN/S-TAI	Set short legs for TAI - compatible with any TAI stove - (120 mm)



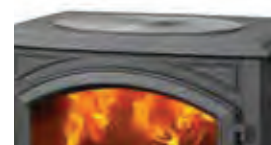
Heat shield
760WD/640WD/540W



Higher legs (black)
640WD/540W
(211 - 286 mm)



Funnel 760GM



Cooking plate 760GM



AIRKIT 760GM



Decorative cover TAI



Decorative cover
& cooking plate TAI



Cooking plate TAI



Short legs TAI: 120 mm



Product name	Weight (kg)	Wood (W) / Lignite briquettes (L) / Coal (C)	Length of logs (cm)	Diameter connection (mm)	Average temp. of flue gasses (°C)	Minimum Pressure (Pa)	Flue gas volume (g/s)	Side (Z), top (B) and/or rear (A) connection	Height chimney / flue (mm)	Ash box/tray	Output (kW): Nominal / Minimal / Maximal	Capacity (m ³)	Efficiency (%)	CO emissions % (13% O ₂)	Dust particles (mg/Nm ³)	Distance from flammable objects: Behind (mm) / Side (mm) / Front (mm)	Outside air connection	EEl energy-efficiency index	Energy-efficiency class
BRUT	105	W	35	150	302	12	6,1	B	-	●	6,5 / 4,5 / 8,5	130	78	0,04	18	400 / 400 / 800	-	104,1	A
ASTRO3CB/P	145	W	25	150	367	12	7,5	B/A	985	●	8,0 / 2,5 / 10,0	160	76,40	0,09	24	100 / 500 / 800	●	101,78	A
ASTRO4CB/P	155	W	25	150	367	12	7,5	B/A	985	●	8,0 / 2,5 / 10,0	160	76	0,09	24	100 / 500 / 800	●	101,78	A
ASTRO2/L	139	W	30	150	280	12	7,1	B/A	730	●	7,0 / 2,3 / 9,0	140	79	0,07	31	200 / 200 / 800	●	106,13	A
525CB	120	W	40	150	353	12	5,4	B/A	625	●	8,0 / 2,7 / 10,0	160	80	0,09	21	200 / 350 / 800	●	107	A+
325CB	100	W	30	125	346	12	4,1	B/A	530	-	6,0 / 2,0 / 8,0	120	81	0,09	13	150 / 400 / 800	●	108,45	A+
425GM	110	W-L-C	40	150	341	12	9,2	B/A	640-720	●	8,0 / 2,7 / 10,0	160	80	0,09	28	200 / 400 / 800		107,15	A+
250	80	W-L-C	30	125	316	10	6,2	B/A	495	●	6,0 / 2,0 / 8,0	120	82	0,1	18	200 / 400 / 800		109,47	A+
300CB	115	W	60	125	384	12	5,8	Z/B/A	630	-	6,0 / 2,0 / 8,0	120	80	0,09	33	400 / 400 / 800		107	A+
100CBS	60	W	35	125	319	12	6,0	Z/B/A	520	-	5,0 / 1,5 / 7,0	100	76	0,09	37	400 / 500 / 800		101,2	A
40CBS	85	W	40	125	384	11	6,4	Z/B/A	610	-	6,0 / 2,0 / 8,0	120	82	0,12	16	400 / 400 / 800		110,48	A+

Options	Description
01.60231.000 FPG4.1	ASTRO4 Floor plate glass (WxD: 610 x 383 mm)
01.60228.000 FPS4.1	ASTRO4 Floor plate steal (WxD: 610 x 383 mm)
01.91793.021 HS-ASTRO4	ASTRO4 Heat shield fixed black
01.60229.000 FPG3.1	ASTRO3 Floor plate glass round (WxD: 572 x 443 mm)
01.60226.000 FPS3.1	ASTRO3 Floor plate steal round (WxD: 572 x 447 mm)
01.60230.000 FPG3.2	ASTRO3 Floor plate glass angular (WxD: 514 x 441 mm)
01.60227.000 FPS3.2	ASTRO3 Floor plate steal angular (WxD: 514 x 457 mm)
01.91792.021 HS-ASTRO3-F	ASTRO3 Heat shield fixed black
01.91701.021 SIER2/BL/B	side panels ASTRO2/L
01.90201.021 200/B	Top section for 100CBS/400 - 20m ³ - Ø125mm
01.90202.021 400/B	Top section for 300CBS - 30m ³ - Ø125mm
01.91767.021 100-78/KIT/B	Cover with flue collar for top connection 100CBS
01.91727.021 300-78/KIT/B	Cover with flue collar for top connection 300CBS
01.91747.021 KP40CB	Cooking plate 40CBS
01.90204.021 5T/B	Top section for 40CBS
01.91769.021 40CB-78/KIT	Cover with flue collar for top section 40CBS



Cover with flue collar
100CBS



Cover with flue collar
40CBS



Cover with flue collar
300CBS



Top section 200 for
100CBS



Top section 5T for
40CBS



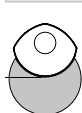
Top sections
200 + 400 for 300CBS



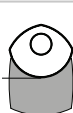
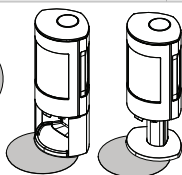
Side panels
ASTRO2/L



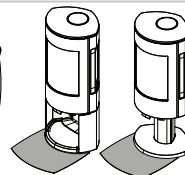
Cooking plate 40CBS



ASTRO 3 glass plate
round



ASTRO 3 glass plate
angular



ASTRO3/4 heat
shield fixed



ASTRO 4 steal plate



ASTRO 4 glass plate

Product name	Weight (kg)	Gas: Propane (P) or Gas (G)	Diameter connection (mm)	Height chimney / flue (mm)	Side (Z), top (B) and/or rear (A) connection	Nominal capacity (kW)	Capacity (m ³)	Efficiency (%)	Gas category	Gas type	Gas connection (*)	Type of gas appliance	Nominal output (kW)	Nominal gas consumption m ³ /hr (G20 or G31)	Distance from flammable objects: Distance from flammable objects: Behind (mm) / Side (mm) / Front (mm)	external air supply	EEl energy-efficiency index	Energy-efficiency class
--------------	-------------	-----------------------------	--------------------------	----------------------------	--	-----------------------	----------------------------	----------------	--------------	----------	--------------------	-----------------------	---------------------	---	--	---------------------	-----------------------------	-------------------------

VIRTUS50GA	85	G	100/150	540	B/A	7	140	83	I2E+	G20/25	03/08	C11/C31/	8,5	0,78	150x500x800	●	80	
VIRTUS50GAP	85	P	100/150	540	B/A	7	140	82	I3B/P	G30/31	03/08	C11/C31	8,6	0,32	150x500x800	●	79	
VIRTUS50GAO	85	G	100	570	A	6	120	85	I2E+	G20/25	03/08	B11BS	7	0,66	150x500x800		82	
VIRTUS50GAOP	85	P	100	570	A	5	120	84	I3B/P	G30/31	03/08	B11BS	5,9	0,23	150x500x800		81	
VIRTUS70GA	100	G	100/150	540	B/A	8	140	83	I2E+	G20/25	03/08	C11/C31/		0,9	150x500x800	●	81	
VIRTUS70GAP	100	P	100/150	540	B/A	7,5	140	82	I3B/P	G30/31	03/08	C11/C31		0,34	150x500x800	●	80	
VIRTUS70GAO	100	G	100	570	A	7,2	140	85	I2E+	G20/25	03/08	B11BS		0,8	150x500x800		83	
VIRTUS70GAOP	100	P	100	570	A	7	140	84	I3B/P	G30/31	03/08	B11BS		0,32	150x500x800		82	
VINTAGE35GA	65	G	100/150	545	B/A	6,0	120	86	I2E+	G20/G25	03/08	C11/C31	7	0,7	150 / 500 / 800	●	82	
VINTAGE35GAP	65	P	100/150	545	B/A	3,8	120	86	I3+	G30/G31	03/08	C11/C31	4,4	0,13	150 / 500 / 800	●	82	
VINTAGE50GA	85	G	100/150	545	B/A	7,5	140	88	I2E+	G20/G25	03/08	C11/C31	8,7	0,9	200 / 500 / 800	●	84	
VINTAGE50GAP	85	P	100/150	545	B/A	5,3	140	88	I3+	G30/G31	03/08	C11/C31	6	0,18	200 / 500 / 800	●	84	

Product name	Weight (kg)	Gas: Propane (P) or Gas (G)	Diameter connection (mm)	Height chimney / flue (mm)	Side (Z), top (B) and/or rear (A) connection	Nominal capacity (kW)	Capacity (m ³)	Efficiency (%)	Gas category	Gas type	Gas connection (*)	Type of gas appliance	Nominal output (kW)	Nominal gas consumption m ³ /hr (G20 or G31)	Distance from flammable objects: Behind (mm) / Side (mm) / Front (mm)	external air supply	EEl energy-efficiency index	Energy-efficiency class
SENSE203GA	110	G	100/150	870	B/A	5,5	110	82	I2E+	G20/25	03/08	C11/C31/C91	6,2	0,7	300/500/800	●	79	🔥
SENSE203GAP	110	P	100/150	870	B/A	5,5	110	82	I3B/P	G30/31	03/08	C11/C31/C91	5,5	0,19	300/500/800	●	79	🔥
SENSE203GAO	110	G	150	870	B/A	5,5	110	82	I2E+	G20/25	03/08	B11AS	6,2	0,7	300/500/800		79	🔥
SENSE203GAOP	110	P	150	870	B/A	5,5	110	82	I3B/P	G30/31	03/08	B11AS	5,5	0,19	300/500/800		79	🔥

Choose between open or closed combustion / Propane or natural gas.
This SENSE gas comes with wood logs as a standard. Which interior do you prefer?

Options	Description
01.31233.000 IF1-SENSEGAS	white pebbles SENSE gas
01.31232.000 IF2-SENSEGAS	black coals SENSE gas



01.31233.000
IF1-SENSEGAS
white pebbles



01.31232.000
IF2-SENSEGAS
black coals



Standard
wood logs

Product name	Weight (kg)	Wood (W) / Lignite briquettes (L) / Coal (C)	Length of logs (cm)	Diameter connection (mm)	Average temp. of flue gasses (°C)	Minimum Pressure (Pa)	Flue gas volume (g/s)	Side (Z), top (B) and/or rear (A) connection	Height chimney / flue (mm)	Ash box/tray	Output (kW): Nominal / Minimal / Maximal	Capacity (m ³)	Efficiency (%)	CO emissions % (13% O ₂)	Dust particles (mg/Nm ³)	Distance from flammable objects: Behind (mm) / Side (mm) / Front (mm)	Outside air connection	Fan	EEl energy-efficiency index	Energy-efficiency class
--------------	-------------	--	---------------------	--------------------------	-----------------------------------	-----------------------	-----------------------	--	----------------------------	--------------	--	----------------------------	----------------	--------------------------------------	--------------------------------------	---	------------------------	-----	-----------------------------	-------------------------

VISTA701I VISTA702I	90	W	50	150	354	12	9,1	(B/A) 45°	420	●	10,0 / 3,3 / 12,0	200	78	0,1	16	/ / 1350	●	●	104,1	A ⁺
VISTA801I VISTA802I	105	W	60	180	358	12	10,6	(B/A) 45°	510	●	11,0 / 4,0 / 14,0	240	75	0,10	14	/ / 800	●	●	99,75	A ⁺

VISTA701C VISTA702C	125	W	50	150	315	12	6,8	B	-	●	10,0 / 3,3 / 12,0	200	83	0,1	24	/ / 800	●	o	111,35	A ⁺
VISTA801C VISTA802C	135	W	60	200	258	12	9,2	B	-	●	12,0 / 4,0 / 14,0	240	82	0,09	28	/ / 800	●	o	110,63	A ⁺
VISTA901C VISTA902C	145	W	60	200	329	12	10,4	B	-	●	14,0 / 4,7 / 16,0	280	80	0,09	39	/ / 800	●	o	107	A ⁺

VISTA701 VISTA702	105	W	50	150	315	12	6,8	B	-	●	10,0 / 3,3 / 12,0	200	83	0,1	24	/ / 800	●	-	111,35	A ⁺
VISTA801 VISTA802	115	W	60	200	258	12	9,2	B	-	●	12,0 / 4,0 / 14,0	240	82	0,09	28	/ / 800	●	-	110,63	A ⁺
VISTA901 VISTA902	125	W	60	200	329	12	10,4	B	-	●	14,0 / 4,7 / 16,0	280	80	0,09	39	/ / 800	●	-	107	A ⁺

minimalistic frame 4 mm



frame 25mm



Options	Description
01.91724.000 SOK-VISTA	Pedestal VISTA (only available for the 'C' versions)
01.91679.000 PTN-VISTA	Adjustable legs set VISTA (only available for the 'C' versions)
01.91680.000 VSETVISTA	Set of fans VISTA (only available for the 'C' versions)
01.91678.000 HS-VISTA900	Heat shield VISTA900
01.91677.000 HS-VISTA800	Heat shield VISTA800
01.91676.000 HS-VISTA700	Heat shield VISTA700



Pedestal VISTA C



Adjustable leg set
VISTA C



Set of fans VISTA C



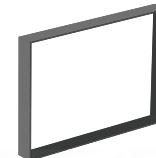
Heat shield VISTA

Product name	Weight (kg)	Wood (W) / Lignite briquettes (L) / Coal (C)	Length of logs (cm)	Diameter connection (mm)	Average temp. of flue gasses (°C)	Minimum Pressure (Pa)	Flue gas volume (g/s)	Side (Z), top (B) and/or rear (A) connection	Height chimney / flue (mm)	Ash box/tray	Output (kW): Nominal / Minimal / Maximal	Capacity (m ³)	Efficiency (%)	CO emissions % (13% O ₂)	Dust particles (mg/Nm ³)	Distance from flammable objects: Behind (mm) / Side (mm) / Front (mm)	Outside air connection	Fan	EEL energy-efficiency index	Energy-efficiency class
ZEN100	115	W	30	150	247	12	5,1	B	-	-	4,8 / 1,9 / 5,9	95	80	0,09	29,3	- / - / 800	●	-	107,15	A ⁺
ZEN102	100	W	30	150	247	12	5,1	B	-	-	4,8 / 1,9 / 5,9	95	80	0,09	29,3	- / - / 800	●	-	107,15	A ⁺
2575CBS	160	W	50	150	345	12	10,1	B	-	●	10,0 / 3,3 / 12,0	200	75,90	0,06	19	// / 800	●	●	101,06	A
2180CBC	180	W	60	200	326	12	13,6	B/A/ 45°	-	●	15,0 / 5,0 / 17,0	300	76	0,1	20	// / 800	●	-	101,2	A
2180CBS	182	W	60	200	326	12	13,6	B/A/ 45°	-	●	15,0 / 5,0 / 17,0	300	76	0,1	20	// / 800	●	-	101,2	A
PHOENIX1	90	W	30	150	327	12	8,4	B	-	-	9,0 / 3,0 / 11,0	180	80	0,06	23	// / 800	-	-	107	A ⁺
PHOENIX2	95	W	30	150	327	12	8,4	B	-	-	9,0 / 3,0 / 11,0	180	80	0,06	23	// / 800	-	-	107	A ⁺
PHOENIX3	112	W	30	150	327	12	8,4	B	-	-	9,0 / 3,0 / 11,0	180	80	0,06	23	// / 800	-	-	107	A ⁺
PHOENIX4	109	W	30	150	327	12	8,4	B	-	-	9,0 / 3,0 / 11,0	180	80	0,06	23	// / 800	-	-	107	A ⁺
2120SC	130	W-L-C	40	150	340	14	7,7	B	-	●	7,0 / 2,3 / 9,0	140	78	0,1	31	// / 800	●	-	104,54	A
2320SC	175	W-L-C	50	150	340	14	7,7	B	-	●	8,0 / 2,7 / 10,0	160	78	0,1	31	// / 800	●	-	104,54	A
2620SC	160	W-L-C	50	150	320	14	9,2	B	-	●	10,0 / 3,3 / 12,0	200	80	0,1	21	// / 800	●	-	107	A ⁺
2220S	150	W-L-C	50	150	340	14	7,7	B	-	●	8,0 / 2,7 / 10,0	160	78	0,1	31	// / 800	●	-	104,54	A
2520S	160	W-L-C	50	150	320	14	9,2	B	-	●	10,0 / 3,3 / 12,0	200	80	0,1	21	// / 800	●	-	107	A ⁺
2020S	130	W-L-C	40	150	340	14	7,7	B	-	●	7,0 / 2,3 / 9,0	140	78,30	0,1	31	// / 800	●	-	69,3	A
(2100S)	130	W-L-C	50	200	335	12	8,1	B	-	●	10,0 / 3,3 / 12,0	200	78	0,1	31	// / 800	-	-	104,1	A

Options	Description
01.91660.000 PTN-ZEN	Leg extension + wall anchor set ZEN
01.94635.021 K.ZEN/D	Recessed frame ZEN
01.91796.021 GS75L/B	Conversion kit to change direction of door 2575CBS
01.91798.000 VSET2180	Fan Set for 2180CB-2170CB
01.94609.021 K2180CB/3/B	Frame 3 sided 2180CBS or 2180CBC
01.94632.021 K2180CB/MINI/B	Frame minimalistic 2180CBS or 2180CBC
01.94611.021 K2180CB/OR/B	Frame 4th side (bottom part) 2180CBS & 2180CBC
01.92897.021 IK20.25/3/B	Frame 3 sided 40 mm black for 2620SC and 2520S
01.94607.021 IK20/OR/B	Frame 4th side (bottom part) 40mm black for 2620SC, 2520S
01.92893.021 IK20.23/3/B	Frame 3 sided 40mm black for 2320SC and 2220S
01.94607.021 IK20/OR/B	Frame 4th side (bottom part) 40mm black for 2320SC and 2220S
01.92888.021 IK20.21/3/B	Frame 3-sided 40mm black for 2120SC and 2020S
01.92892.521 IK20.21/OR/B	Frame 4th side (bottom part) 40mm black for 2120SC and 2020S
01.95410.000 OMB.2575CBS1	Conversion kit 2575CBS (glass)
01.77101.000 K2100	Coal basket 2100S



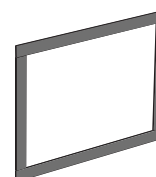
Recessed frame
ZEN



MINIMALISTIC



3-SIDED



4-SIDED



Conversion kit to
change direction of
door 2575CBS



Fan set 2180CB



Transformation kit
2575CBS



Log extension
+ wal anchor set ZEN



Casserole 22cm



Casserole 26cm



Casserole 28cm



Casserole 37cm - Oval



Casseroles 12 cm (4)



Casseroles 12cm SD (4)



Pan 26 cm



Pan 26 cm with lid



Dish 24cm - Oval



Dish 30cm - Oval



Dish 37cm



Dish 37cm - Oval with lid



Grill 25cm



Grill 42cm



Griddle 25cm



Griddle 42cm

Colour combination



Matt Black /
Matt Black



Matt Black /
Pearl White



Pearl White /
Matt Black



Pearl White /
Pearl White



Silky Grey /
Matt Black



FERLEON
Delicious Design
COOKWARE

Made in Belgium

Recycled cast iron

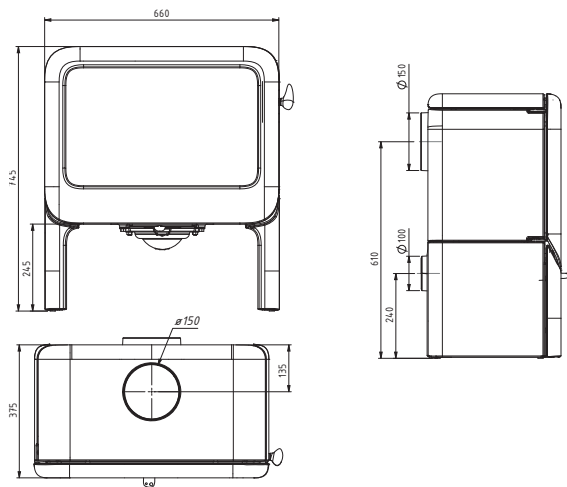
Sustainable & eco-friendly

100% cadmium free

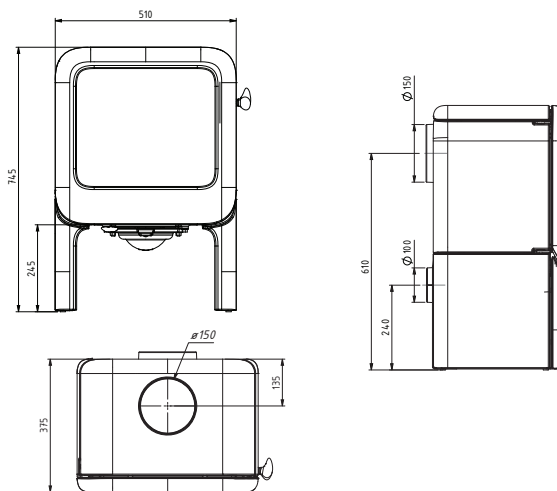
For more info, visit www.ferleon.com



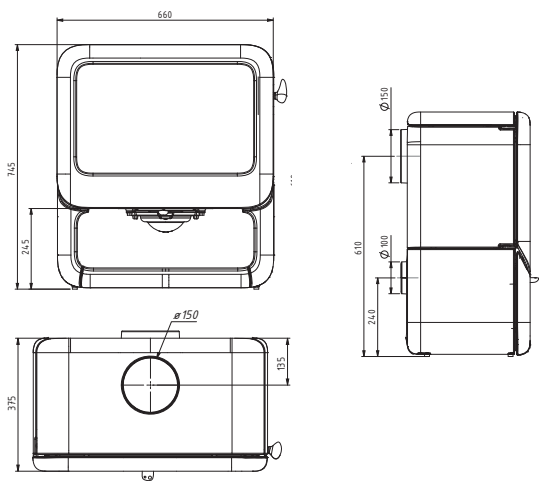
ROCK500TB



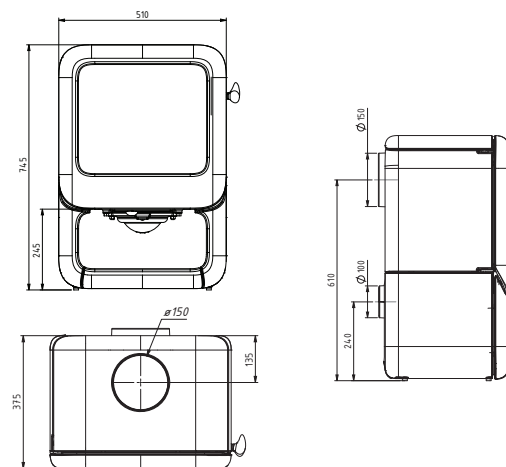
ROCK350TB



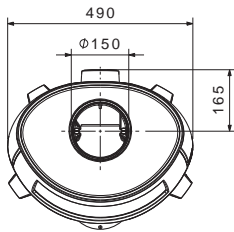
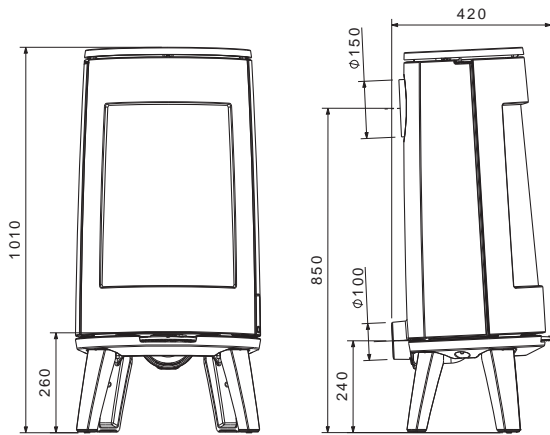
ROCK500WB



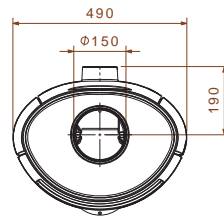
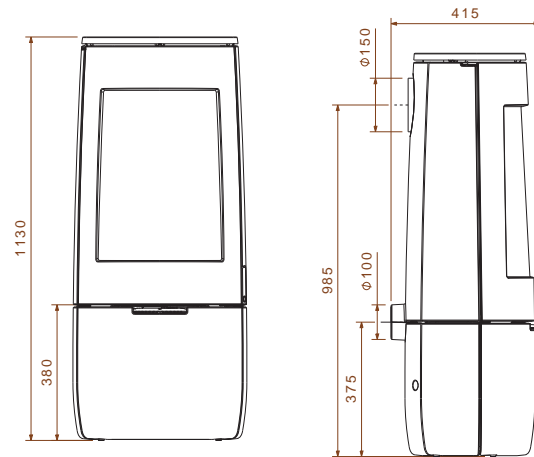
ROCK350WB



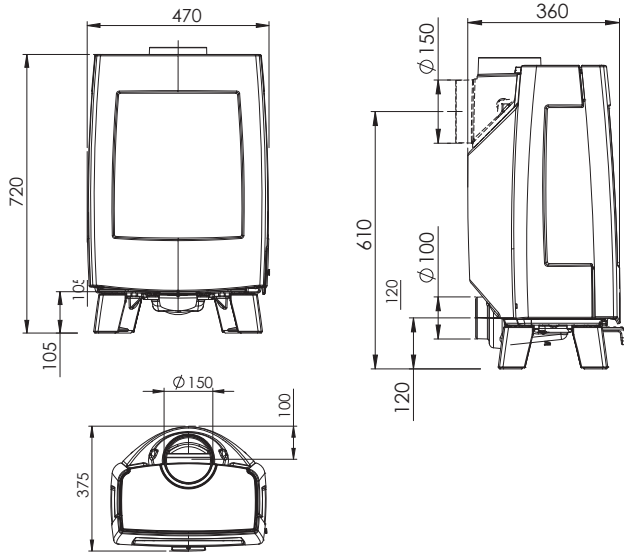
BOLD300



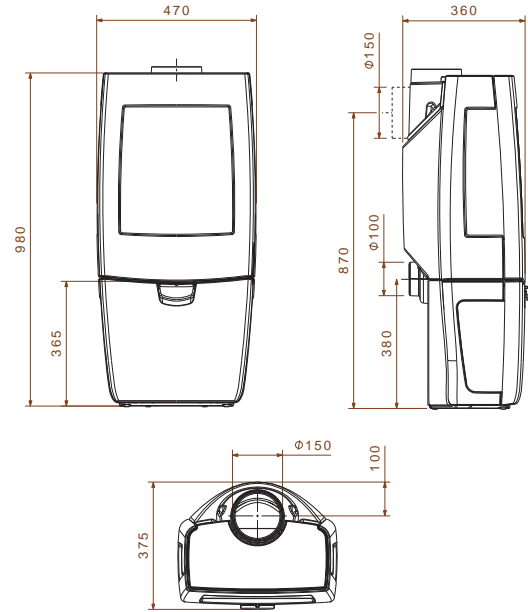
BOLD400



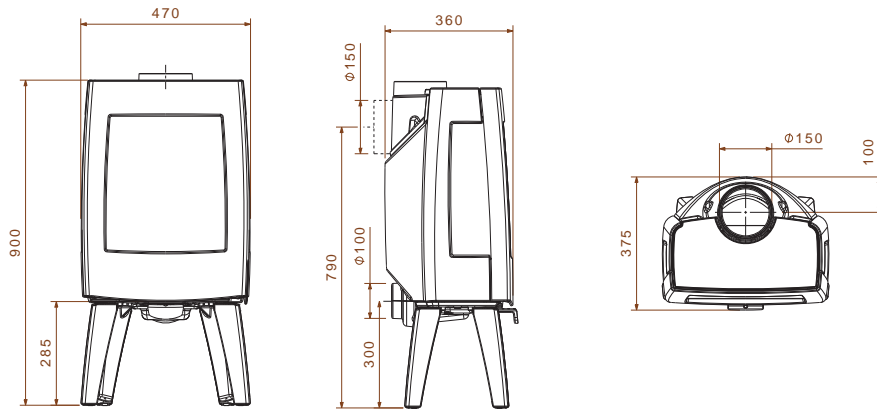
SENSE113



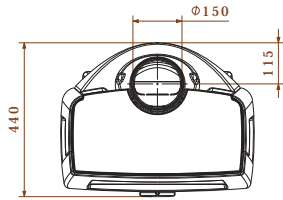
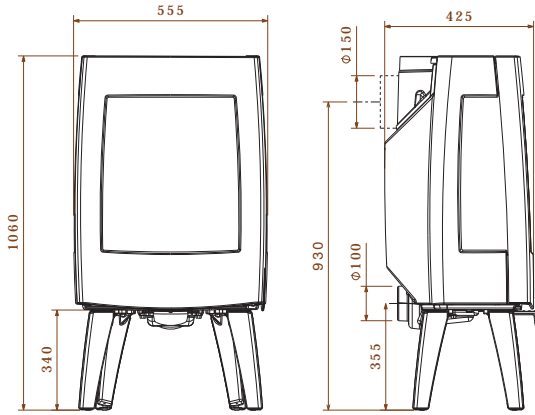
SENSE203



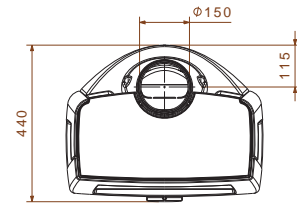
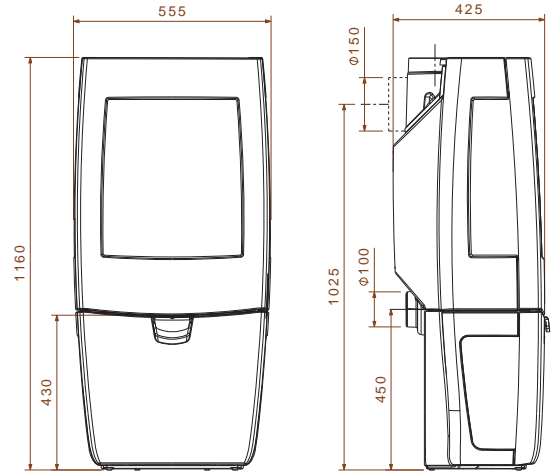
SENSE103



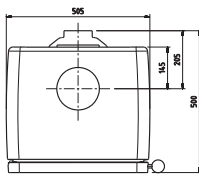
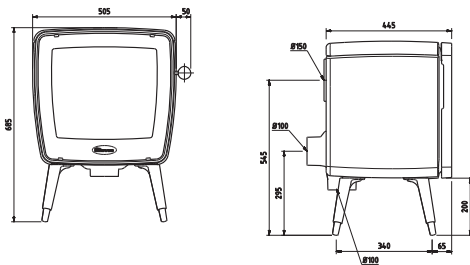
SENSE303



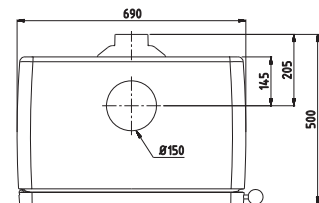
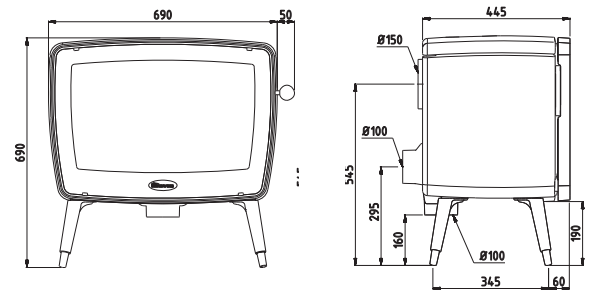
SENSE403



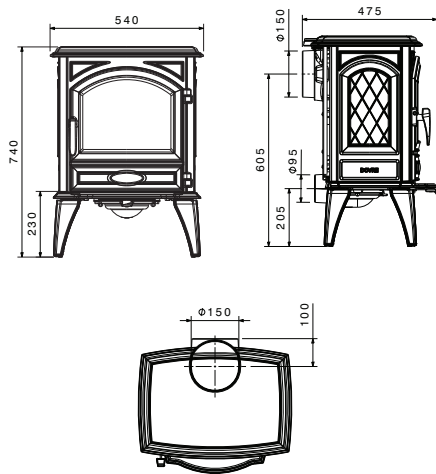
VINTAGE 35



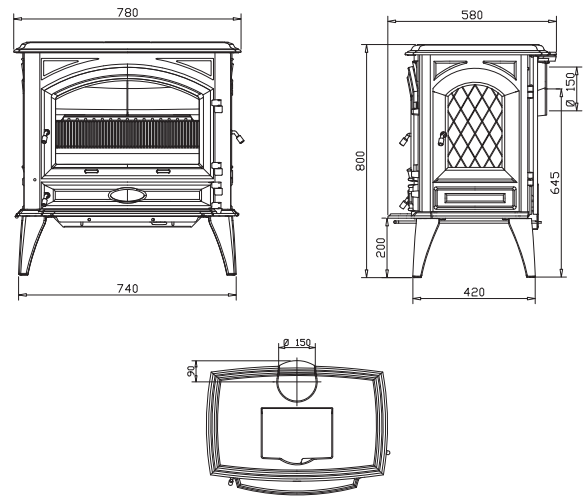
VINTAGE 50



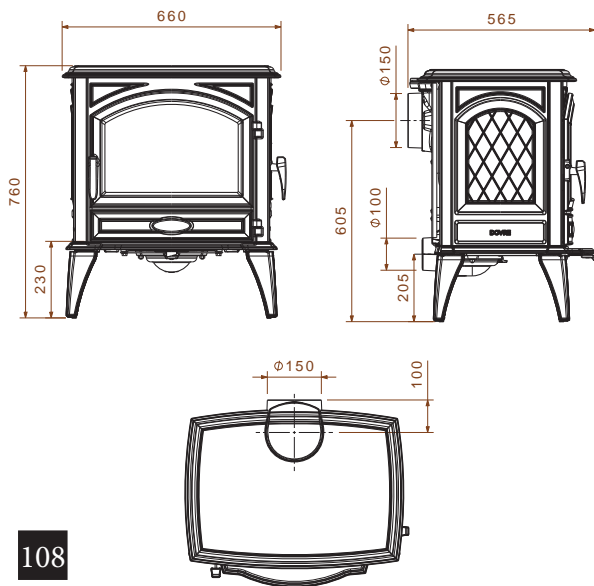
540W



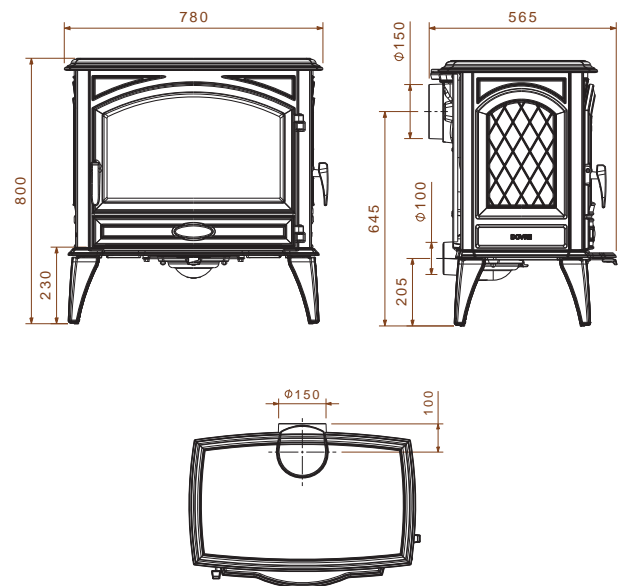
760GM



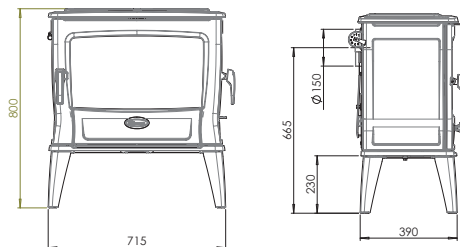
640WD



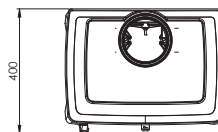
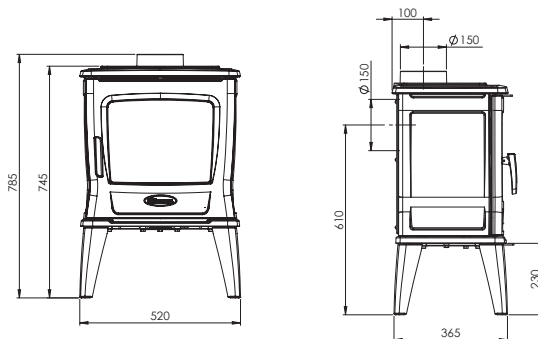
760WD



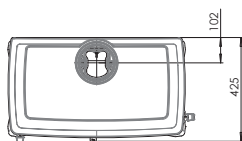
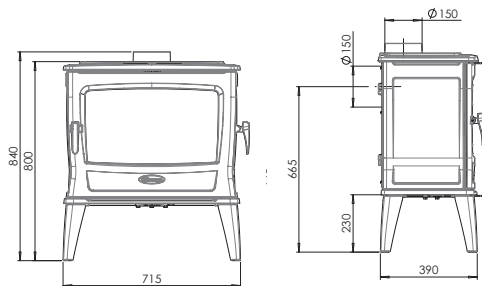
TAI55MD



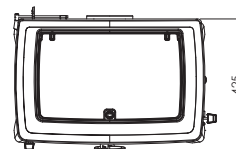
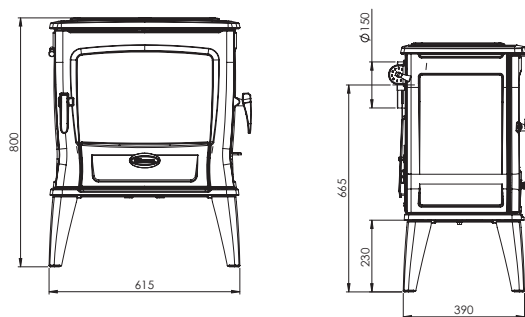
TAI35W



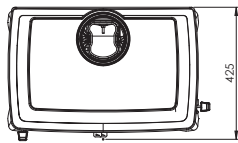
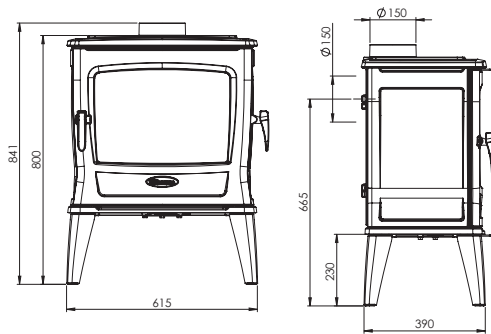
TAI55WD



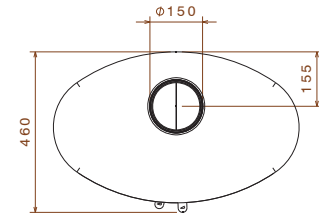
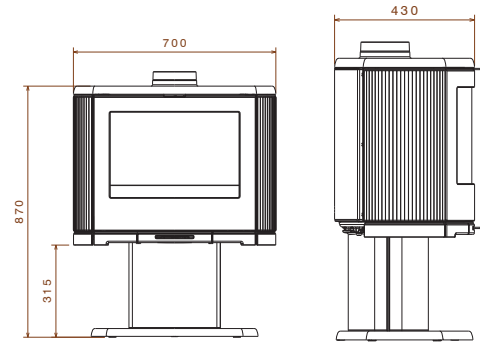
TAI45MD



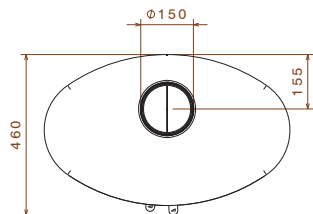
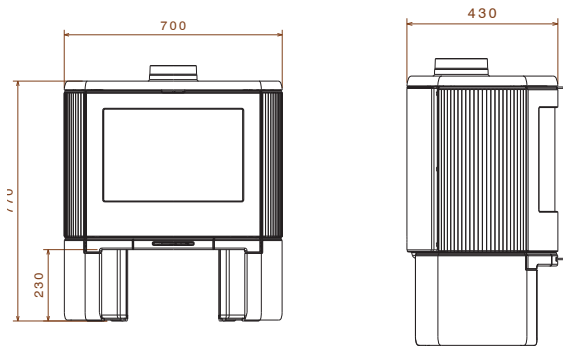
TAI45WD



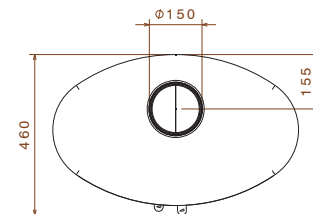
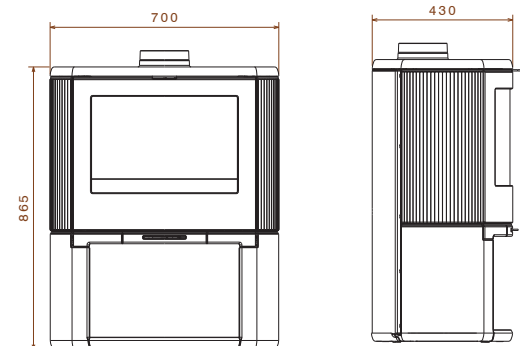
BOW/P



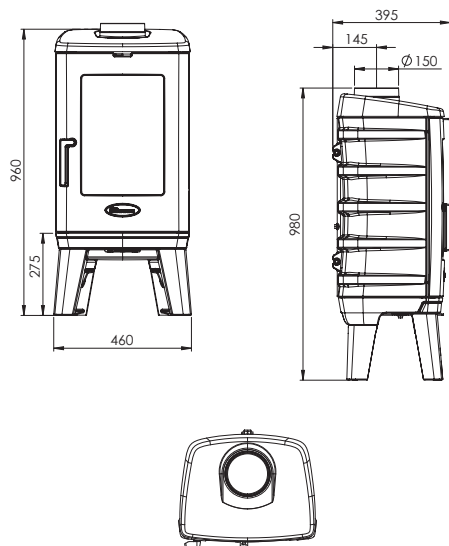
BOW



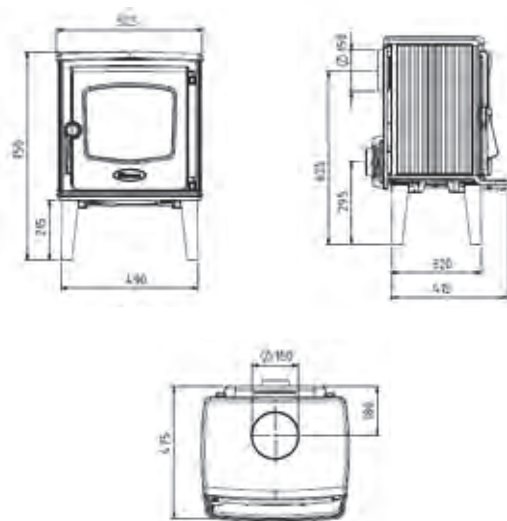
BOW/WB



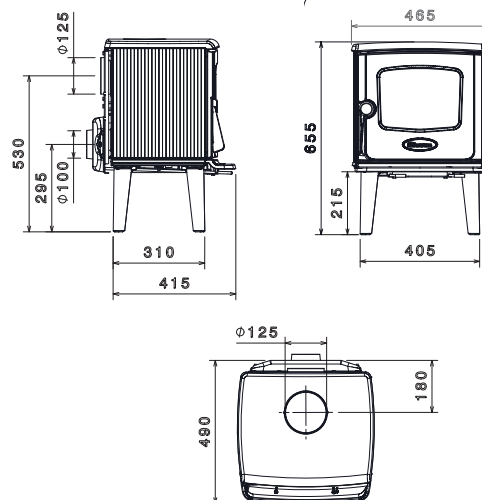
BRUT



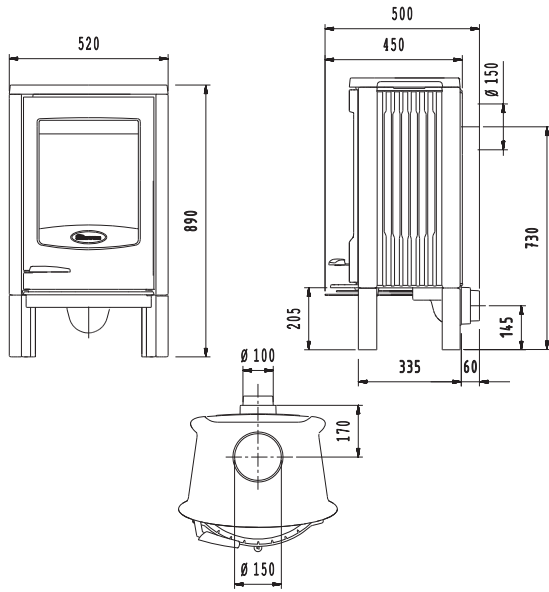
525CB



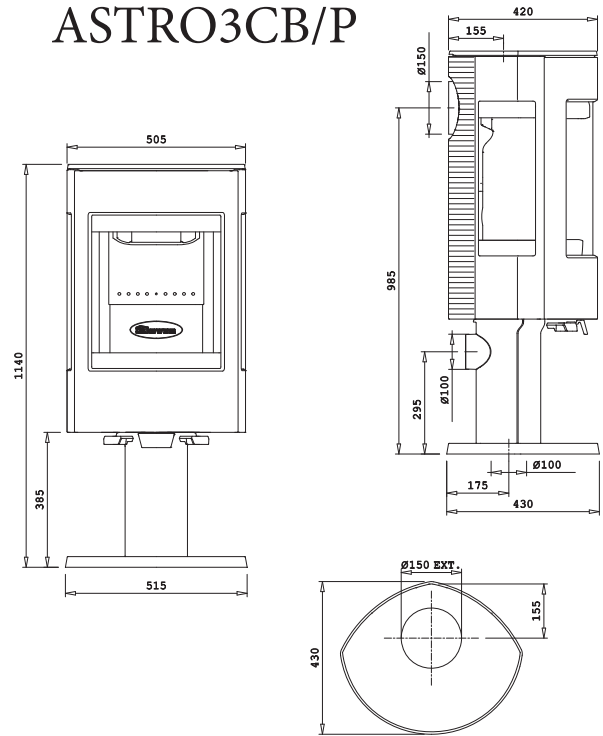
325CB



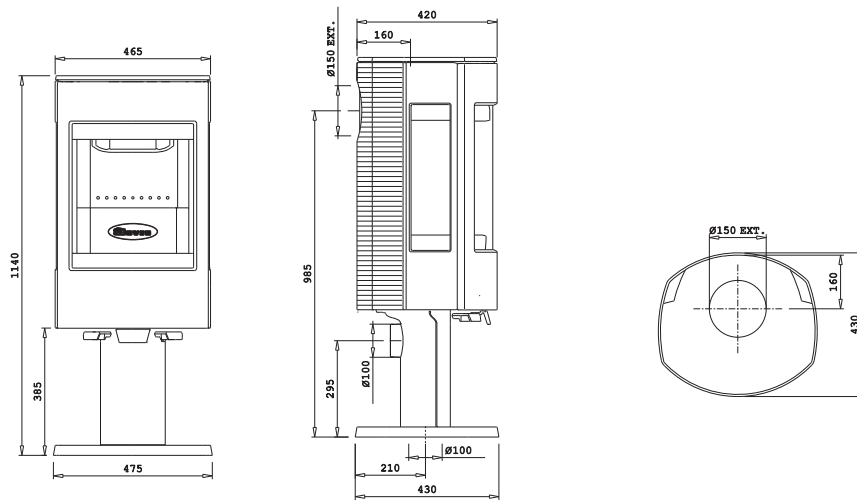
ASTRO2/L



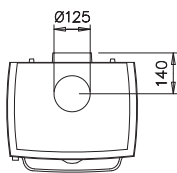
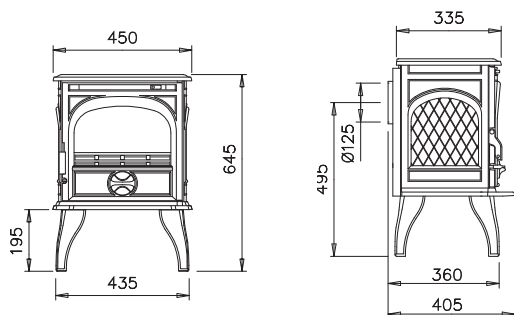
ASTRO3CB/P



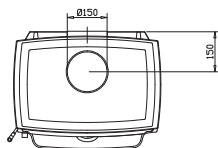
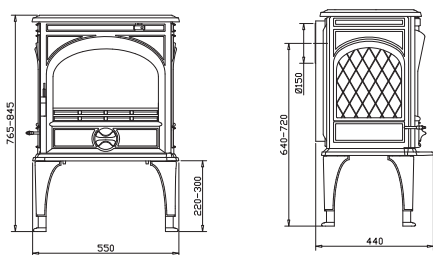
ASTRO4CB/P



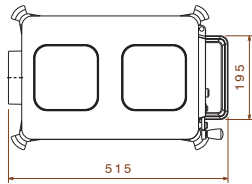
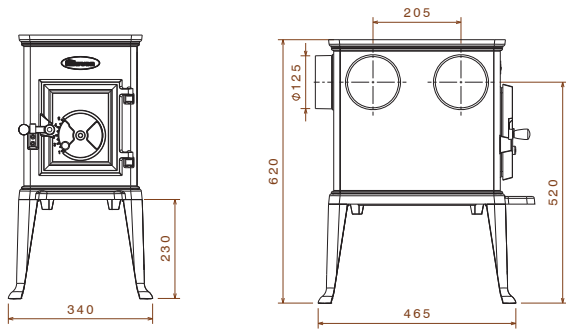
250



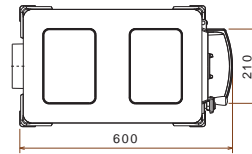
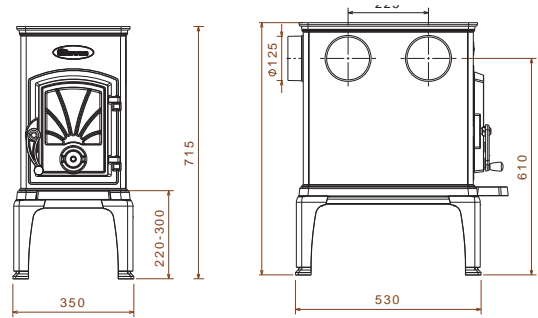
425GM



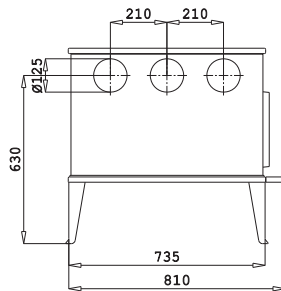
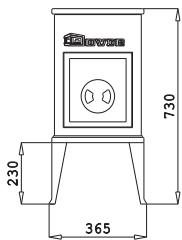
100CBS



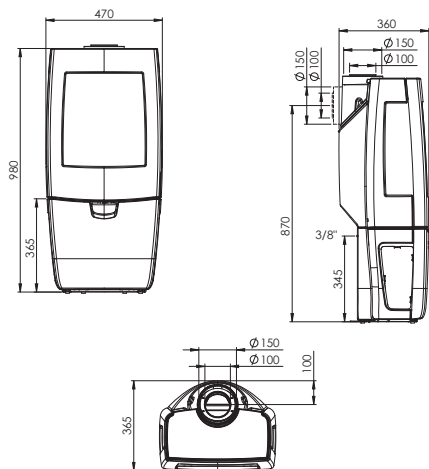
40CBS



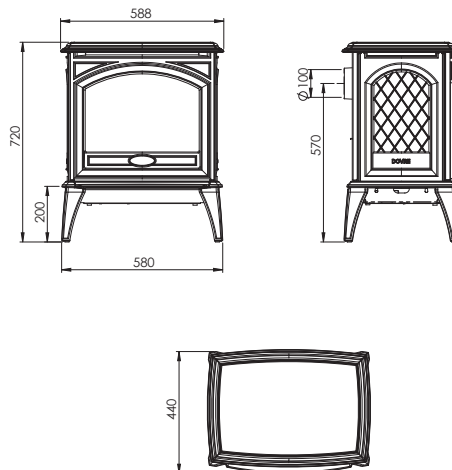
300CB



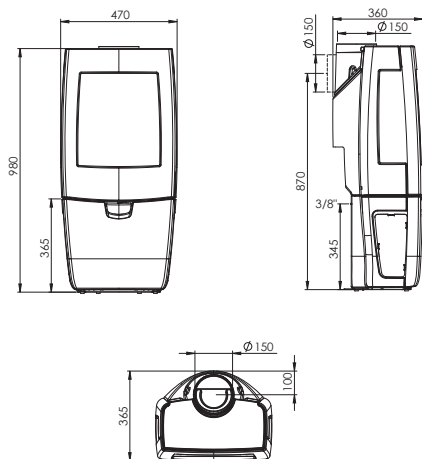
SENSE203GA



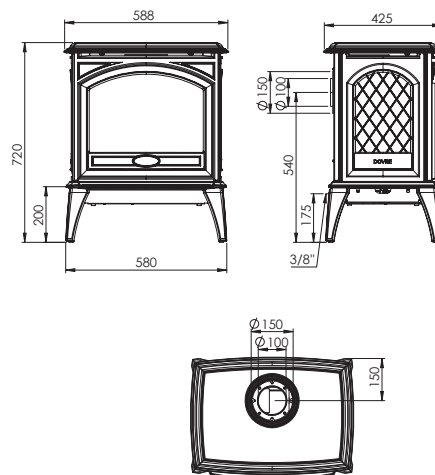
VIRTUS50GAO



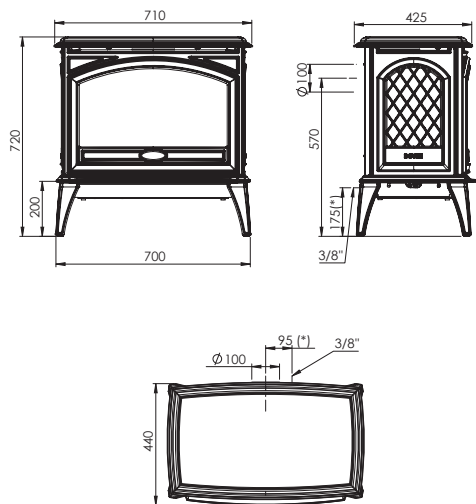
SENSE203GAO



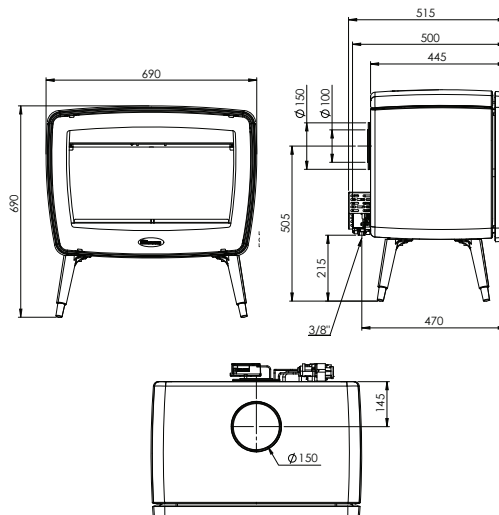
VIRTUS50GA



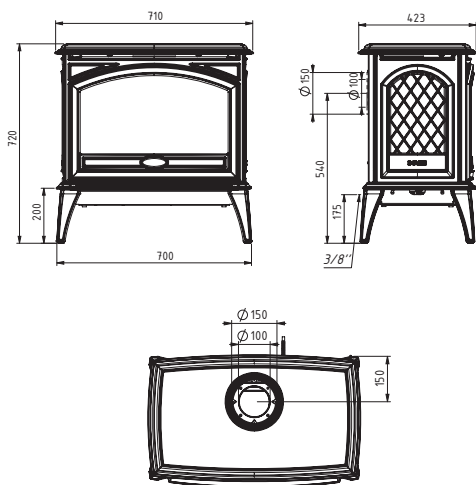
VIRTUS70GAO



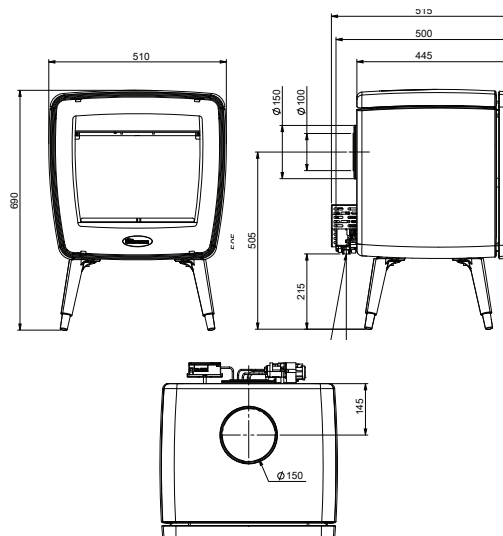
VINTAGE50GA



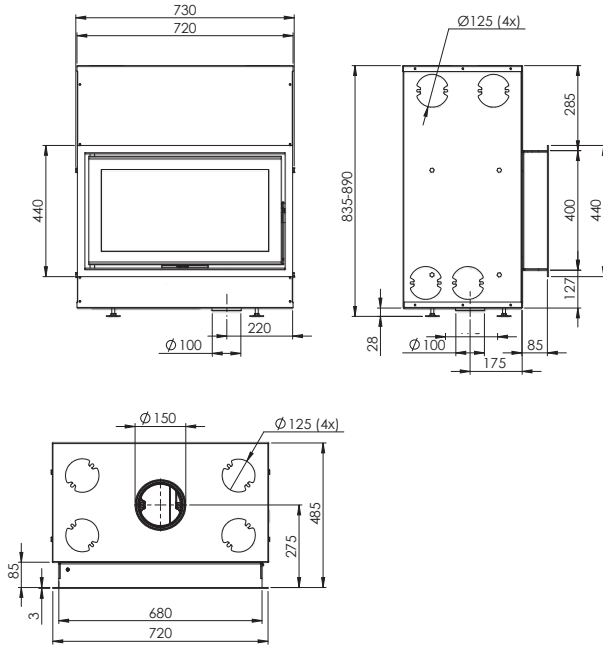
VIRTUS70GA



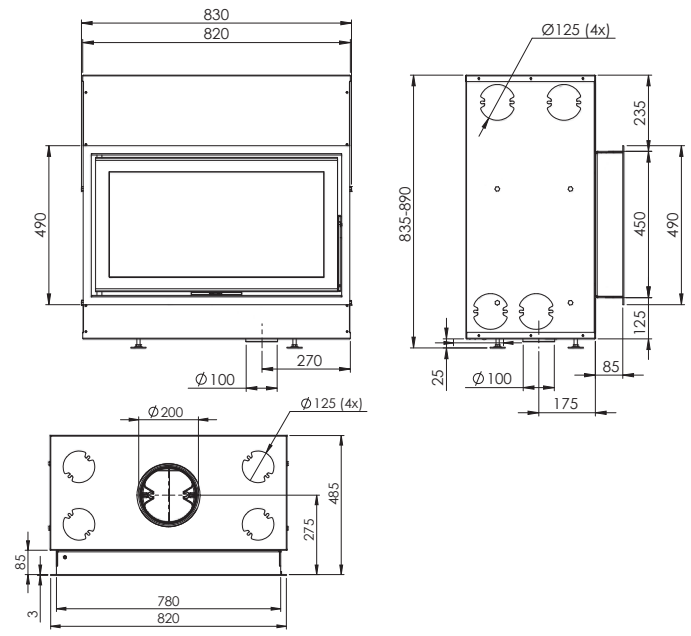
VINTAGE35GA



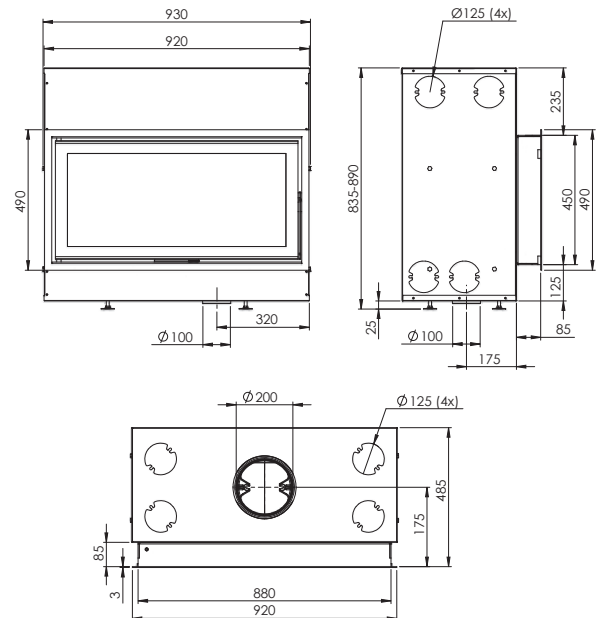
VISTA701C & 702C



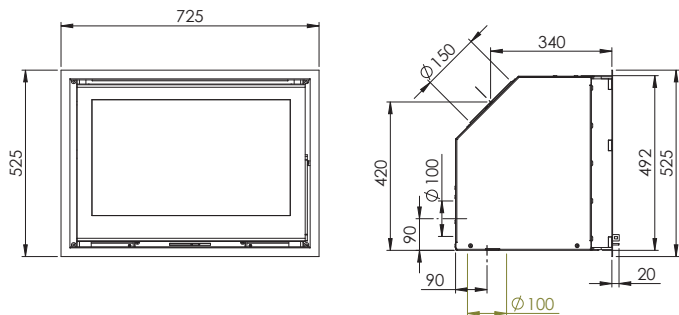
VISTA801 & 802C



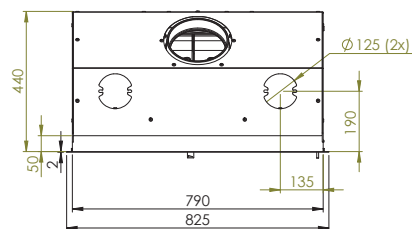
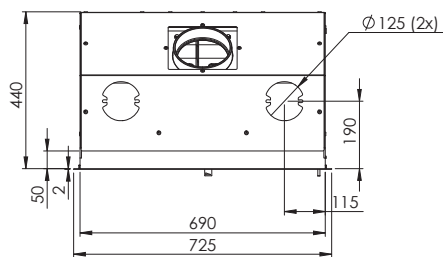
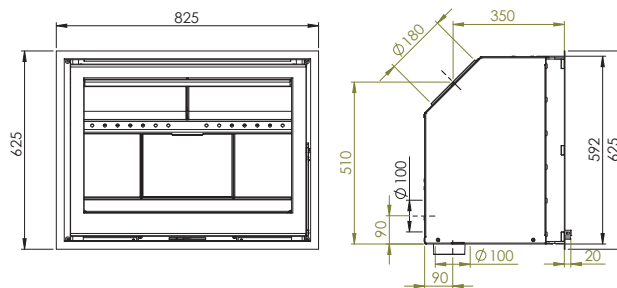
VISTA901C & 902C



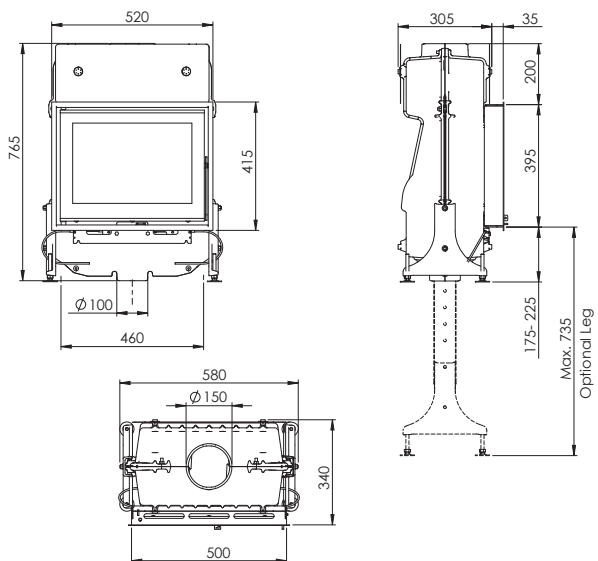
VISTA701I & 702I



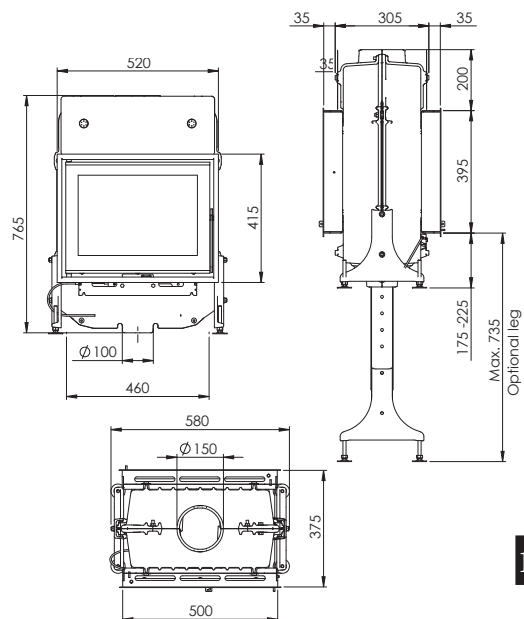
VISTA801I & 802I



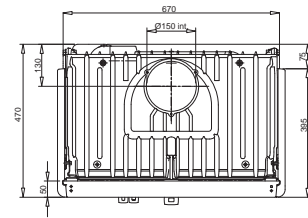
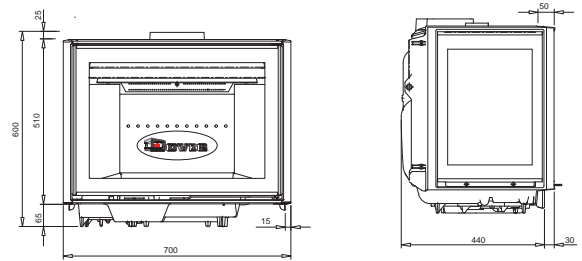
ZEN100



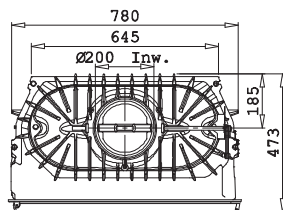
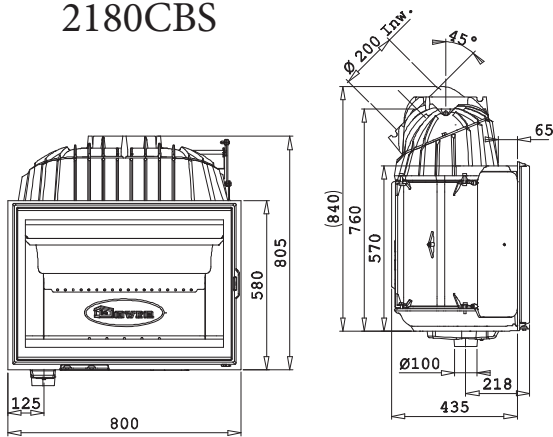
ZEN102



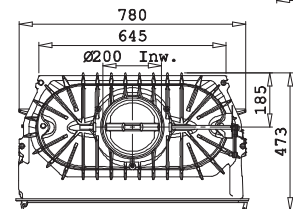
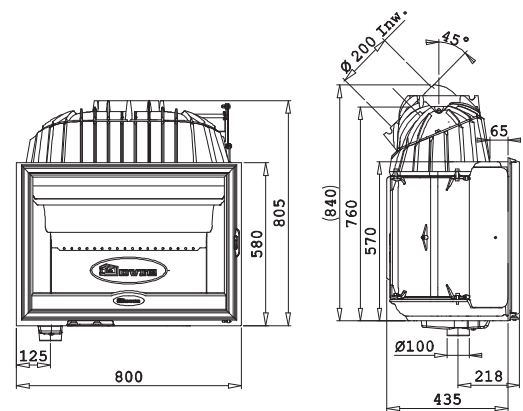
2575CBS



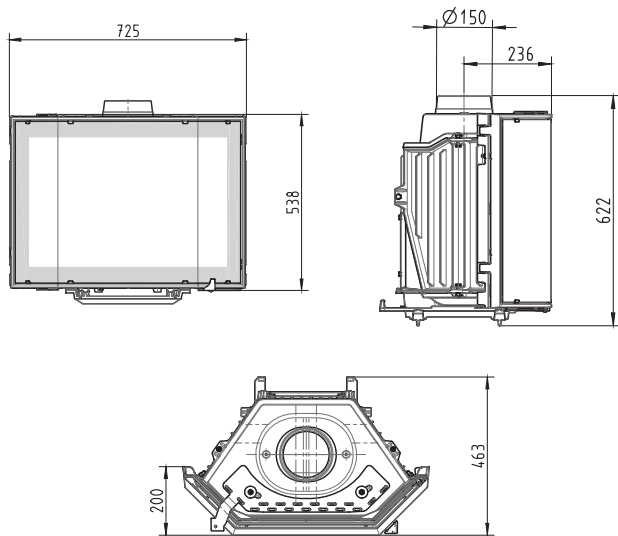
2180CBS



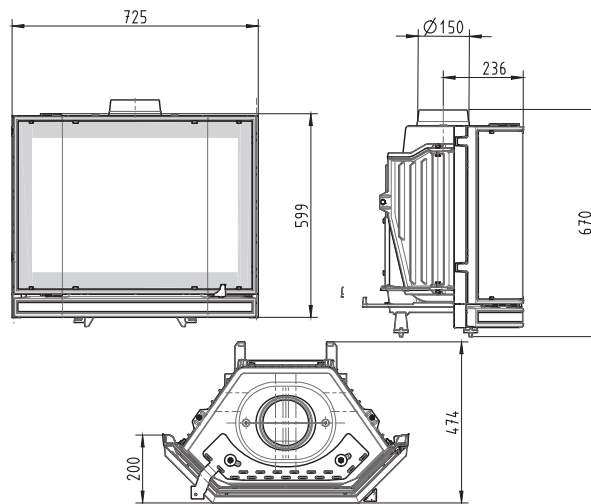
2180CBC



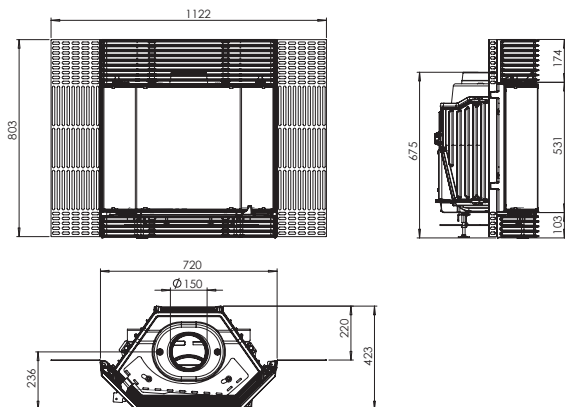
PHOENIX 1



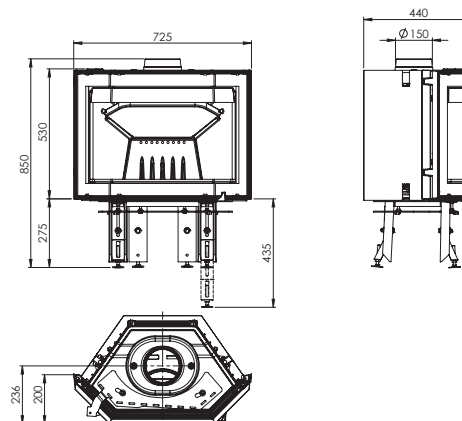
PHOENIX 2



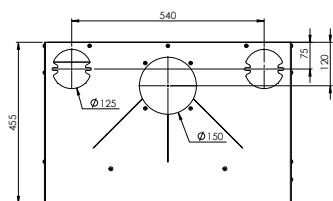
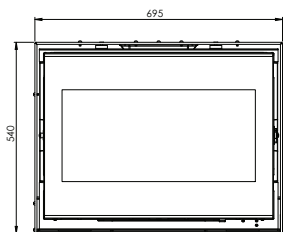
PHOENIX 3



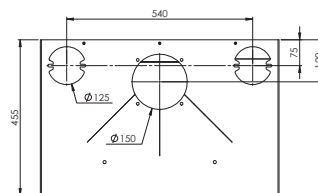
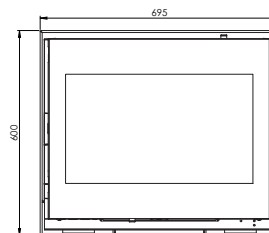
PHOENIX 4



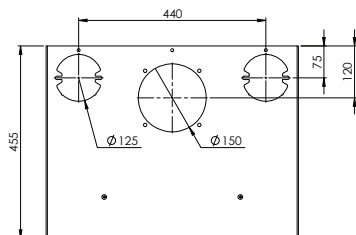
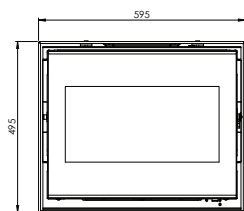
2320SC



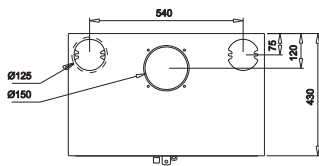
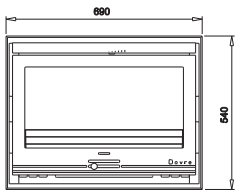
2620SC



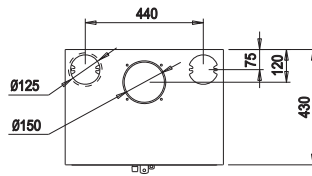
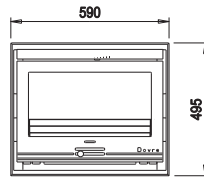
2120SC



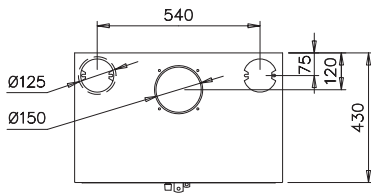
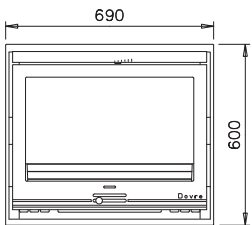
2220S



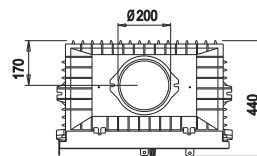
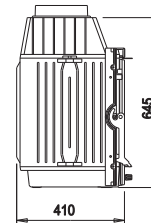
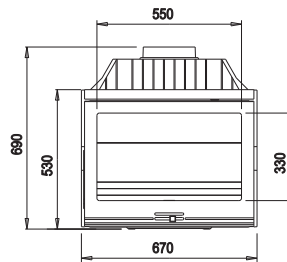
2020S



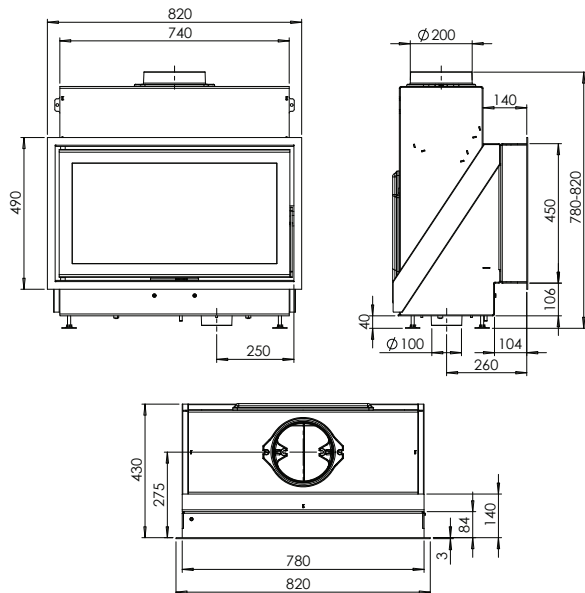
2520S



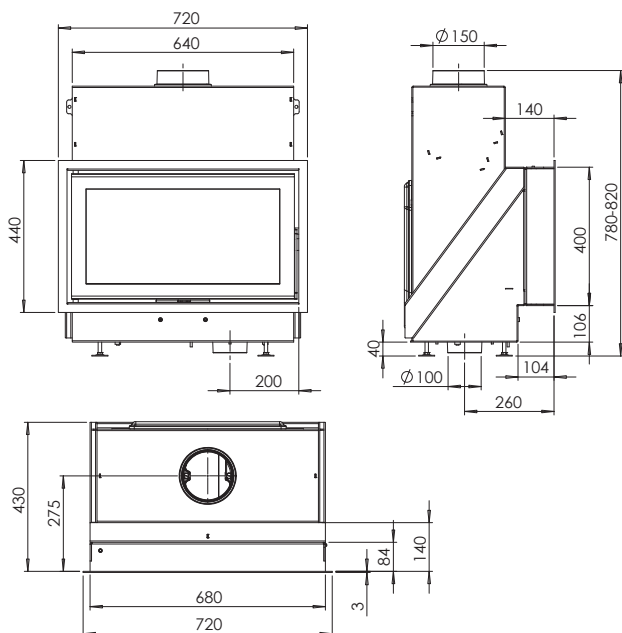
2100S



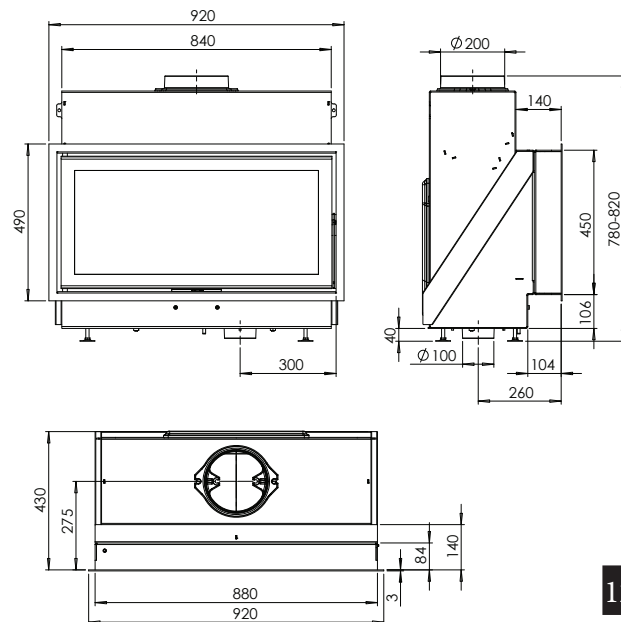
VISTA801 & 802



VISTA701 & 702



VISTA901 & 902














ACCESSORIES







ACCESSORIES

ENAMEL FLUE PIPES (NOT CONCENTRIC)*

Product name	Picture	Description
RL1000 (E6,E8,E9,E12,E14)		Tube 1000mm Ø150mm
RL0750 (E6,E8,E9,E12,E14)		Tube 750mm Ø150mm
RLV1150 (E6,E8,E9,E12,E14)		Tube 750-1120mm adjustable
RL0250 (E6,E8,E9,E12,E14)		Tube 250mm Ø150mm
BGG45 (E6,E8,E9,E12,E14)		Elbow 45° Ø150mm
BGG90 (E6,E8,E9,E12,E14)		Elbow 90° Ø150mm
K0330 (E6,E8,E9,E12,E14)		T-piece with cap Ø150mm
RWF (E6,E8,E9,E12,E14)		Rosette Ø150mm
MUFF (E6,E8,E9,E12,E14)		Connection piece Ø150mm

*nor Dovre, nor our supplier can guarantee a 100% colour match between the enamelled stoves and the flue pipes

ACCESSORIES (GENERAL)

Picture	Description	Article number
	1 x Can spray paint anthracite	70.74902.000
	12 x Can spray paint anthracite	70.74902.100
	1 x Can spray paint black	70.74901.000
	12 x Can spray paint black	70.74901.100
	1 x Service kit 8 mm	70.79869.000
	12 x Service kit 8 mm	70.79869.100
	1 x Service kit 6 mm	70.79870.000
	12 x Service kit 6 mm	70.79870.100
	1 x Servicekit self adhesive 10 x 3 mm x 5.2 M	70.79868.000
	12 x Servicekit self adhesive 10 x 3 mm x 5.2 M	70.79868.100
	1 x Fire cement 400g	70.30202.000
	12 x Fire cement 400g	70.30202.100

DOVRE

info@dovrefire.com
www.dovrefire.com

Since we strive to improve our products continuously, prices.
The images shown are stoves working on natural gas. (Flames in stoves working on propane are lower and more blue!)
The flame picture is only an indication how the flames could look like, but is not obligatory alike as the flame picture depends on each installation and specifications of our products may deviate from those listed in this brochure without prior notice.

Reference number 2020/06 EN - ref. 24.00305.452

